

Installation must be carried out by the procedure outlined. Failure to do so may void the guarantee.
 Electrical: Wiring to the appliance must comply with State and local Regulations. Connection to be carried out by a registered electrician.

Flue fitting instructions 3 Flare Models Only

1. Check that the flue is the correct length prior to fitting.
2. Peel back PVC on the flue.
3. Place the rangehood on a level surface.
4. Remove the phillips head transit screws from the top of the rangehood.
5. Position the flue over the outlet and place all the rivets in the holes available and then fasten them.
6. Fit the flue back plate.

Installation instructions

1. Prepare wall by marking level line at desired height above cooktop.
2. Plumb line from centre of cooktop to ceiling and mark flue cut out. Position mounting bracket on wall and fix with four screws. Mounting bracket is not necessary when installing over a splashback.
Note: The fixing bracket is 32mm shorter than the rangehood and should be located from the centre only.
3. Cut a neat hole through the ceiling and remove any obstructing timbers.
Note: Various offsets are available from your QASAIR dealer to duct around any major structural beams which cannot be removed. Ask your QASAIR dealer for advice.
4. In the case of back ducted models, cut a hole in the wall at the desired height.
5. Locate solid fixing point in wall to support hood. If there is no solid fixing point it will have to be placed in the wall before proceeding. QASAIR recommend at least four (4) fixing points.
6. Drill holes in back of unit at suitable fixing points.
7. Drill 20mm hole in the rear of unit for 240 volt power cable as close as possible to junction box or use hole below the junction box.
8. Place flue over spigot of hood then carefully lift into position on level line. Ensure flue is pushed into position and electrical cable is fed into rear of unit.
9. Duct in approved manner to outside atmosphere.

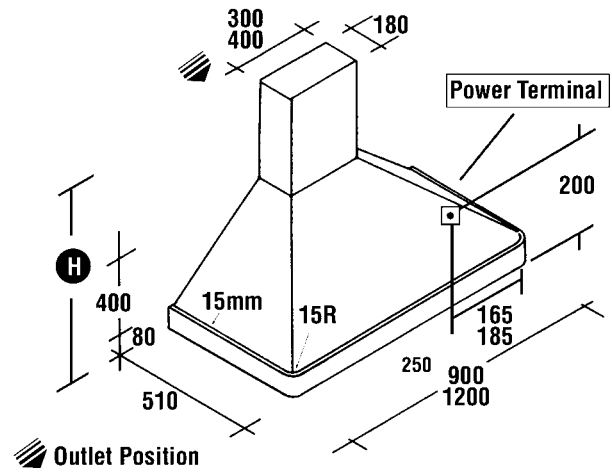
INSTRUCTIONS for models

3F900 / 1200-2
 3F1200 / 1500-3
 CM900-1
 CM900 / 1000 / 1200-2
 SMF900 / 1000 / 1200-2
 LCM900-1
 LCM900-2
 LCM1000 / 1200 / 1500-2
 LCM1500 / 1800-3
 SF900-1
 SF900 / 1200-2
 ST900-1
 ST900 / 1200-2
 ROY
 MAJ
 IN-600-1
 IN-900-2
 IN-1200-3
 STA900-2
 STA1200-2

Federation 3F

3F-900-2 Top Ducted
3F-1200-2 Top Ducted

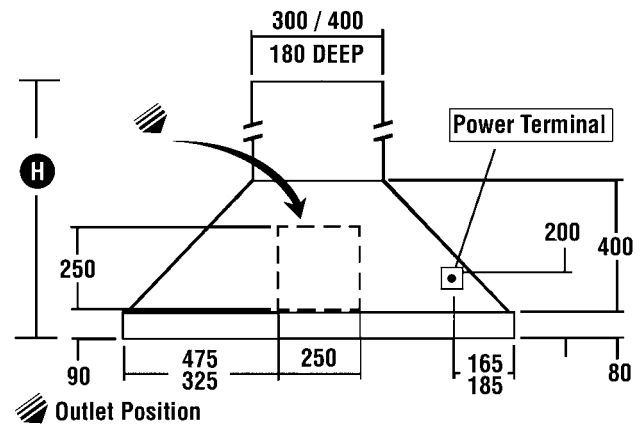
- Duct outlet dimensions 300 x 180 and 400 x 180
- Standard 2 motor ducting will fit
- Electrical – 10AMP junction box
- A transition piece is supplied to fit to the top of flue to suit 2 motor ducting

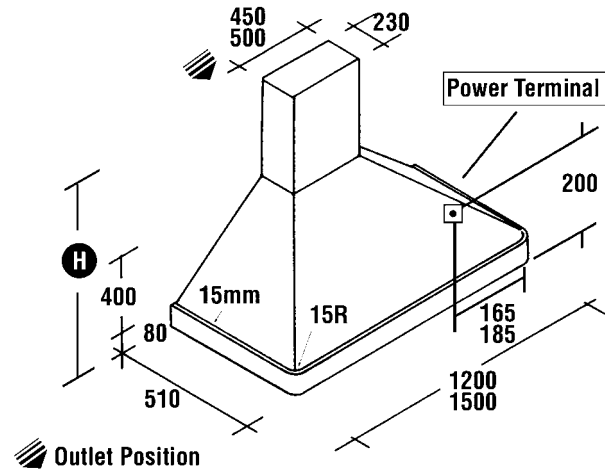


Federation 3F

3F-900-2 Back Ducted
3F-1200-2 Back Ducted

- Duct outlet dimension 250 x 250
- Standard 2 motor ducting will fit
- Electrical – 10AMP junction box

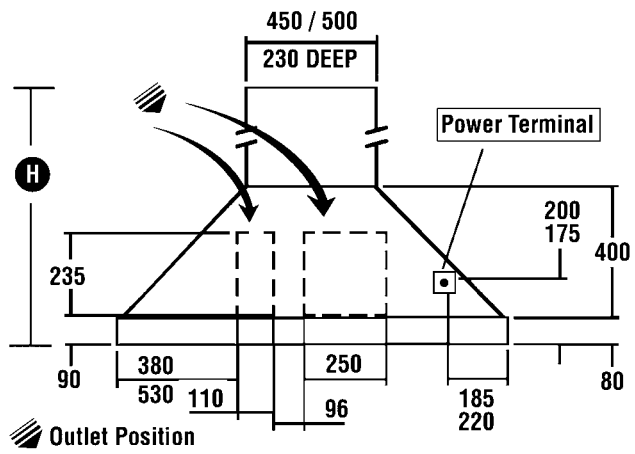




Federation 3F

3F-1200-3	Top Ducted
3F-1500-3	Top Ducted

- Duct outlet dimensions 400 x 200
- Standard 3 motor ducting will fit
- Electrical – 10AMP junction box



Federation 3F

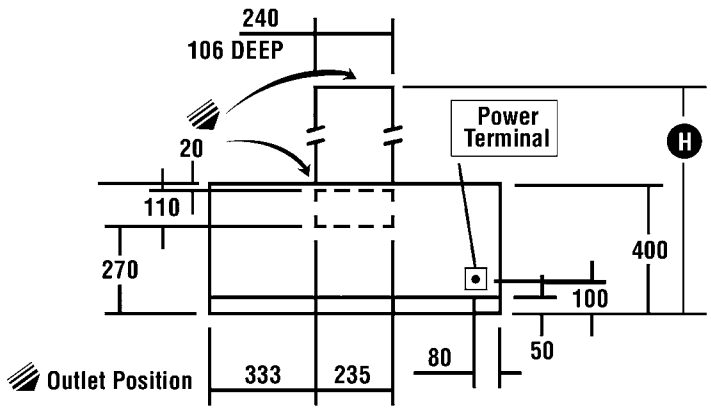
3F-1200-3	Back Ducted
3F-1500-3	Back Ducted

- Duct outlets dimensions 110 x 235 and 250 x 250
- Standard 1 motor and 2 motor ducting will fit
- Electrical – 10AMP junction box

Federation SF

SF-900-1 Top / Back Ducted

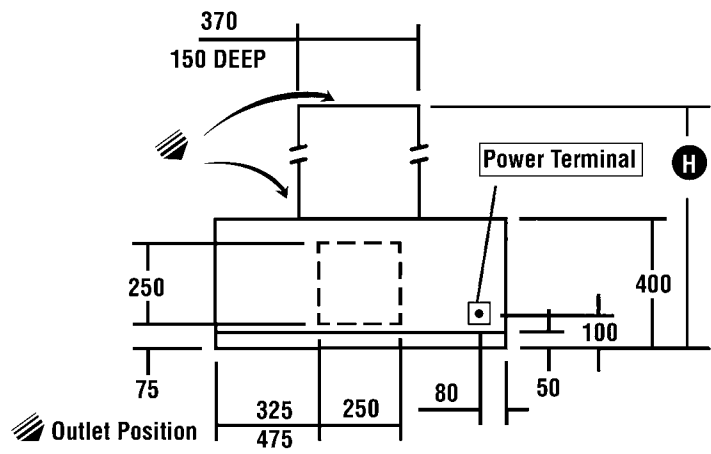
- Duct outlet dimension 240 x 110
- Standard single motor ducting will fit
- Electrical – 10AMP junction box
- Top ducted model is supplied with a DLE S/S Flue

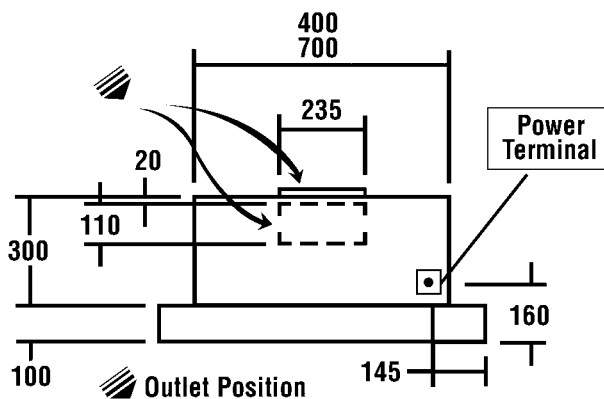


Federation SF

SF-900-2 Top / Back Ducted
 SF-1200-2 Top / Back Ducted

- Duct outlet dimension
 top ducted 370 x 150
 back ducted 250 x 250
- Standard 2 motor ducting will fit
- Electrical – 10AMP junction box
- Top model is supplied with a DLE-2 S/S Flue

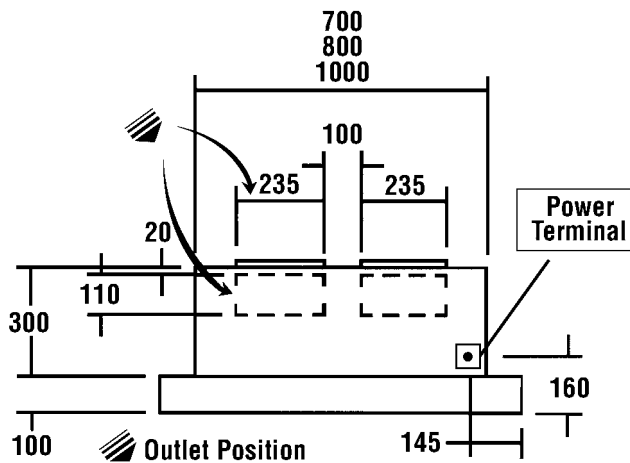




Federation CM

CM-600-1 Top / Back Ducted
 CM-900-1 Top / Back Ducted

- Duct outlet dimension 235 x 110
- Standard single motor ducting will fit
- Electrical – 10AMP junction box



Federation CM

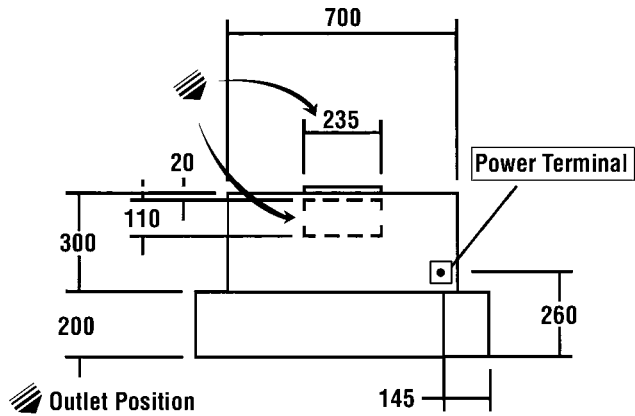
CM-900-2 Top / Back Ducted
 CM-1000-2 Top / Back Ducted
 CM-1200-2 Top / Back Ducted

- Duct outlet dimension 235 x 110
- Standard single motor ducting will fit or transitions are available to connect to 2 motor ducting
- Electrical – 10AMP junction box

Federation LCM

LCM-900-1 Top / Back Ducted

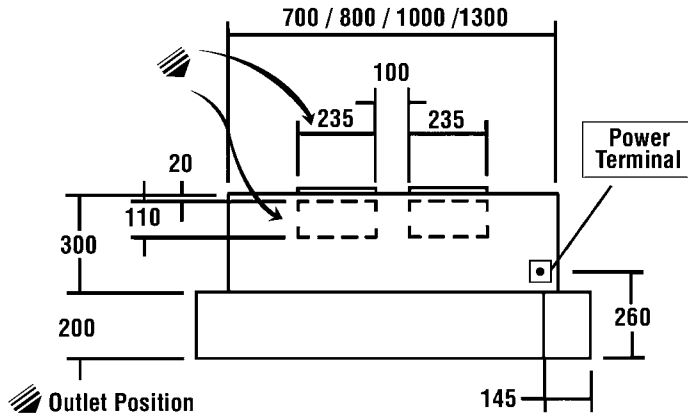
- Duct outlet dimension 235 x 110
- Standard single motor ducting will fit
- Electrical – 10AMP junction box

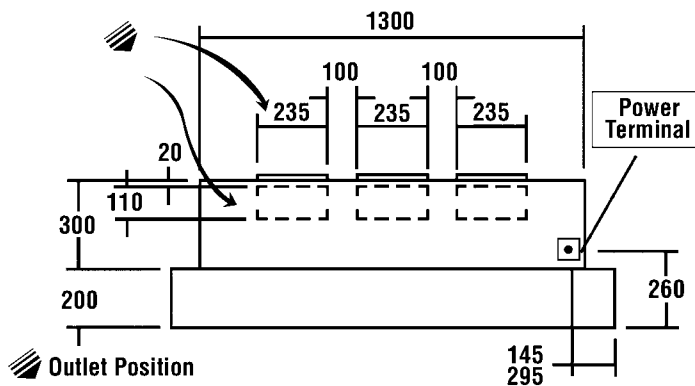


Federation LCM

LCM-900-2 Top / Back Ducted
 LCM-1000-2 Top / Back Ducted
 LCM-1200-2 Top / Back Ducted
 LCM-1500-2 Top / Back Ducted

- Duct outlets dimension 235 x 110
- Standard single motor ducting will fit or transitions are available to connect to 2 motor ducting
- Electrical – 10AMP junction box

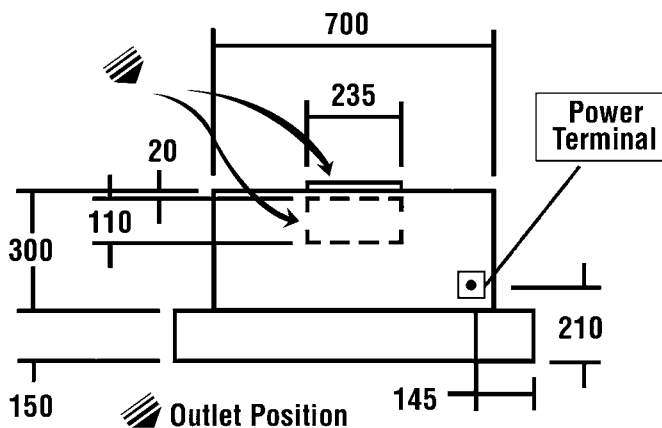




Federation LCM

LCM-1500-3 Top / Back Ducted
 LCM-1800-3 Top / Back Ducted

- Duct outlets dimension 235 x 110
- Standard single motor ducting will fit or transitions are available to connect to 3 motor ducting
- Electrical – 10AMP junction box



Marquis SMF

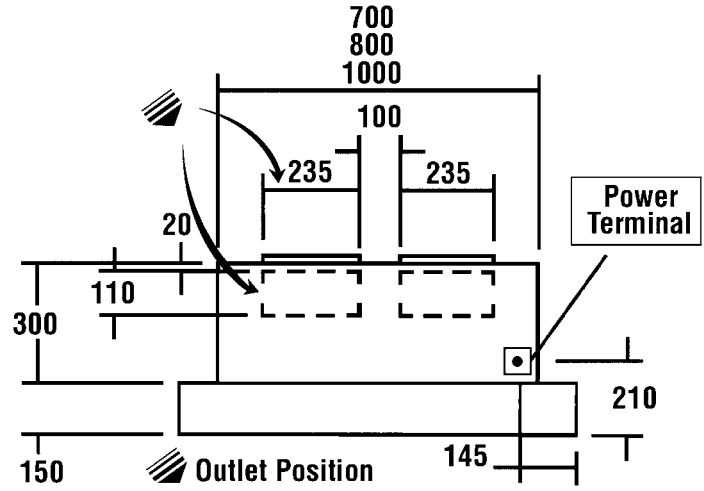
SMF-900-1 Top / Back Ducted

- Duct outlet dimension 235 x 110
- Standard single motor ducting will fit
- Electrical – 10AMP junction box

Marquis SMF

SMF-900-2	Top / Back Ducted
SMF-1000-2	Top / Back Ducted
SMF-1200-2	Top / Back Ducted

- Duct outlet dimension 235 x 110
- Standard single motor ducting will fit
- Electrical – 10AMP junction box

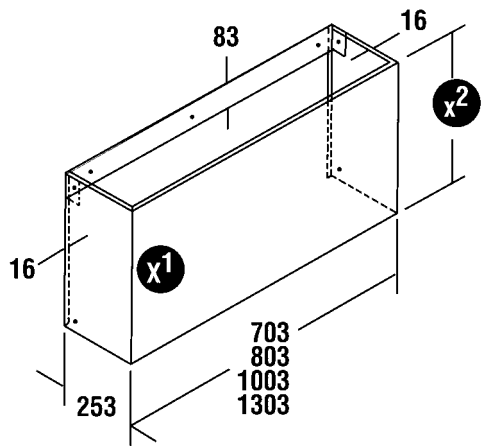


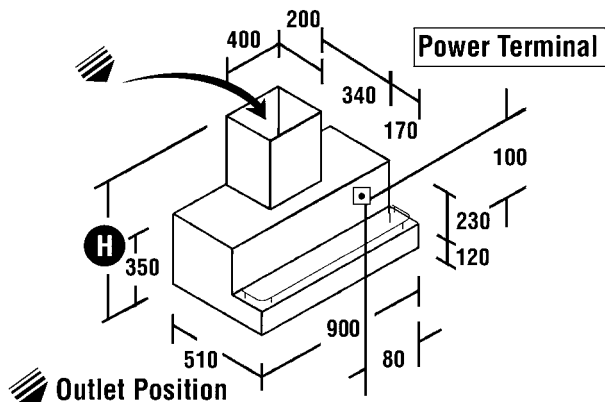
CM / LCM / SMF Shroud

NOTE: For CM, LCM and SMF models we can supply a stainless steel shroud to cover the motor box and go to the ceiling.

The dimensions are shown on the diagram. It is necessary to measure the height to the ceiling on each side of the motor box so we get the exact measurement to make the shroud.

We will leave a 2mm gap to allow for any variation in the ceiling or hood installation.



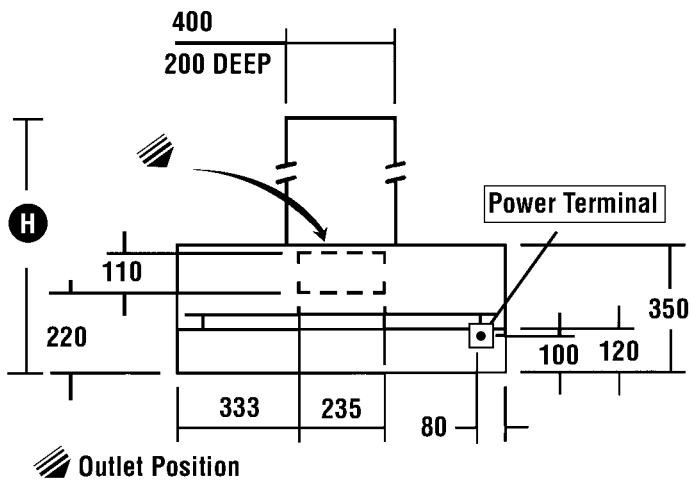


Federation ST

ST-900-1

Top Ducted

- Duct outlet dimension 235 x 110
- Standard single motor ducting will fit
- Electrical – 10AMP junction box
- Top ducting model can have a DL-1 drop into the motor



Federation ST

ST-900-1

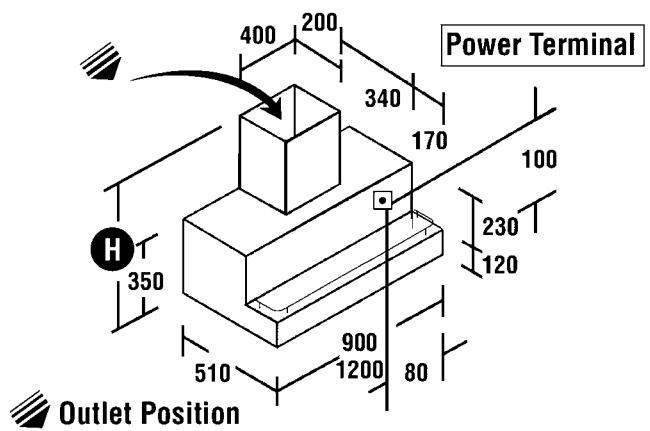
Back Ducted

- Duct outlet dimension 235 x 110
- Standard single motor ducting will fit
- Electrical – 10AMP junction box

Federation ST

ST-900-2 Top Ducted
ST-1200-2 Top Ducted

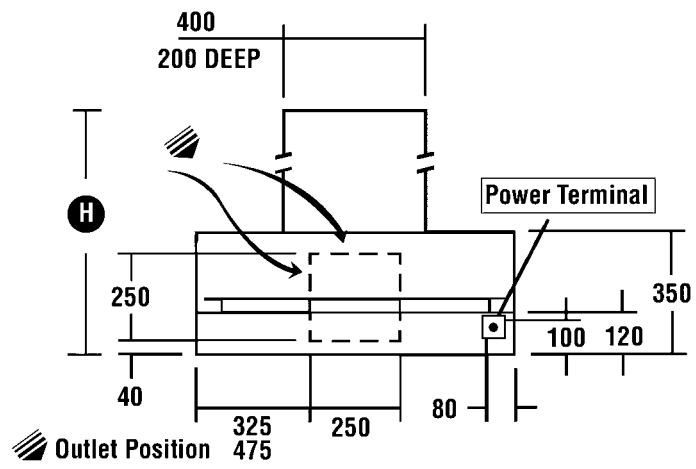
- Duct outlet dimension 370 x 150
- Standard 2 motor ducting will fit
- Electrical – 10AMP junction box

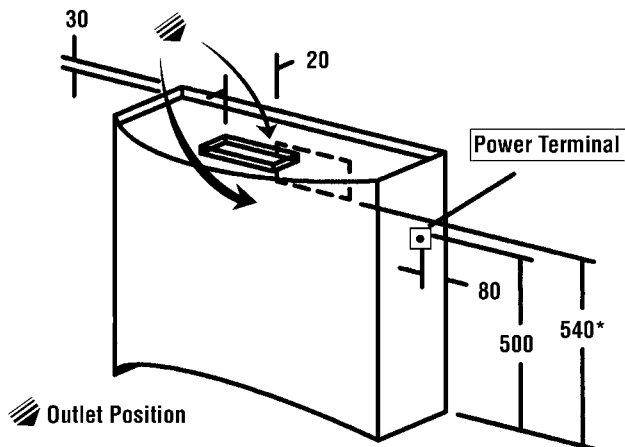


Federation ST

ST-900-2 Back Ducted
ST-1200-2 Back Ducted

- Duct outlet dimension 250 x 250
- Standard 2 motor ducting will fit
- Electrical – 10AMP junction box



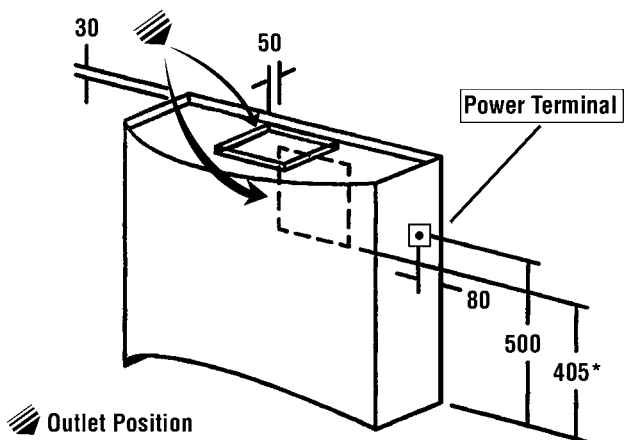


Majestic / Royale

MAJ-900-1 Top / Back Ducted

ROY-900-1 Top / Back Ducted

- Duct outlet dimension 235 x 110mm
- * For hoods shorter than 750mm high this dimension varies to a minimum of 440mm
- Electrical – 10AMP junction box



Majestic / Royale

MAJ-900-2 Top / Back Ducted

MAJ-1000-2 Top / Back Ducted

MAJ-1200-2 Top / Back Ducted

MAJ-1500-2 Top / Back Ducted

ROY-900-2 Top / Back Ducted

ROY-1000-2 Top / Back Ducted

ROY-1200-2 Top / Back Ducted

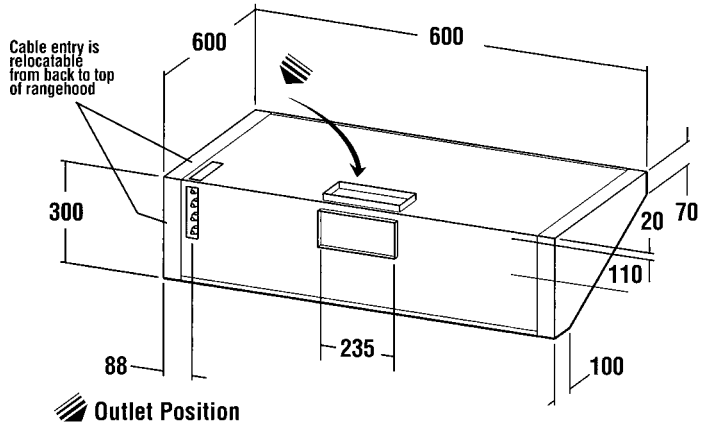
ROY-1500-2 Top / Back Ducted

- Duct outlet dimension 250 square
- * For hoods shorter than 750mm high this dimension varies to a minimum of 300mm
- Electrical – 10AMP junction box

Integra IN-1

IN-600-1 Top or Back Ducted

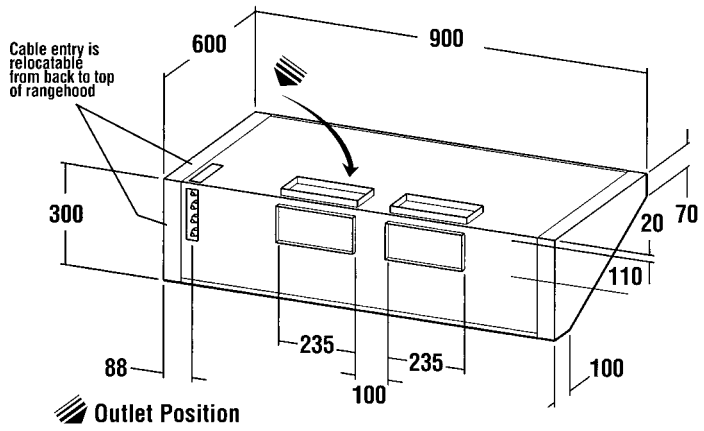
- Duct outlet dimension 235 x 110mm
- Standard single motor ducting will fit
- Electrical – 10AMP junction box

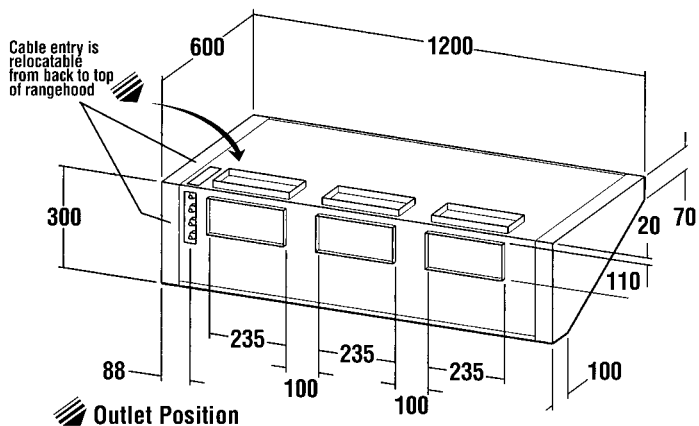


Integra IN-2

IN-900-2 Top or Back Ducted

- Duct outlet dimension 235 x 110mm
- Standard twin motor ducting will fit
- Electrical – 10AMP junction box



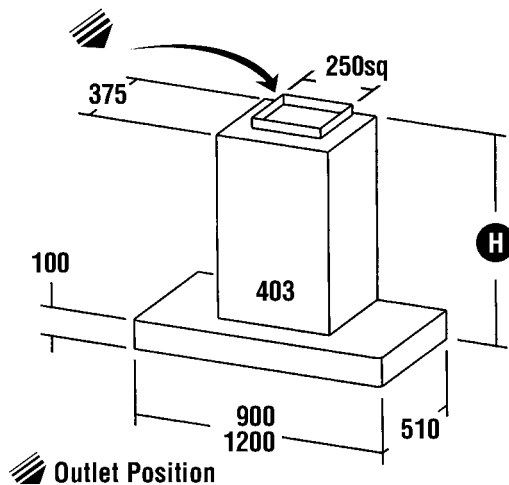


Integra IN-3

IN-1200-3

Top or Back Ducted

- Duct outlet dimension 235 x 110mm
- Standard triple motor ducting will fit
- Electrical – 10AMP junction box



Statesman STA

STA-900-2

Top Ducted

STA-1200-2

Top Ducted

- Duct outlet dimension 250 square
- Standard twin motor ducting will fit
- Electrical – 10AMP junction box

Statesman STA

STA-900-2 Back Ducted
STA-1200-2 Back Ducted

- Duct outlet dimension 250 square
- Standard twin motor ducting will fit
- Electrical – 10AMP junction box

