

Installation must be carried out by the procedure outlined. Failure to do so may void the guarantee.
 Electrical: Wiring to the appliance must comply with State and local Regulations. Connection to be carried out by a registered electrician.

Duct direction (For all models except MT)

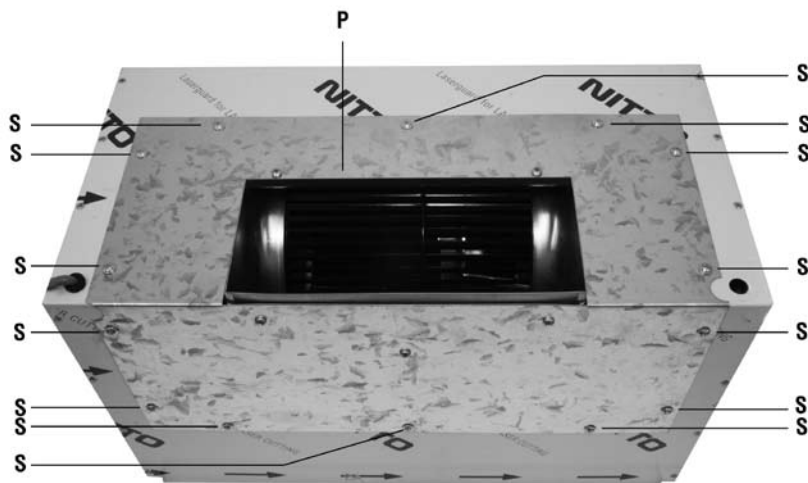
Before installing your rangehood check whether it has the fan mounted for back or top ducting.

For top ducting, the fan must be fixed to the back of the unit with the air outlet at the top, and for back ducting, the fan must be fixed to the top of the unit with the air outlet at the back.

To change from top to back or back to top, proceed as follows:

Duct direction for UCH models

The motor shown is fitted to the back plate (P) and this plate is attached to the hood by screws (S).
 To change from top to back undo all the screw (S), 14 of them and remove the plate and turn it around so the motor points out the way required. Fit all the screws again and tighten.



INSTRUCTIONS for models

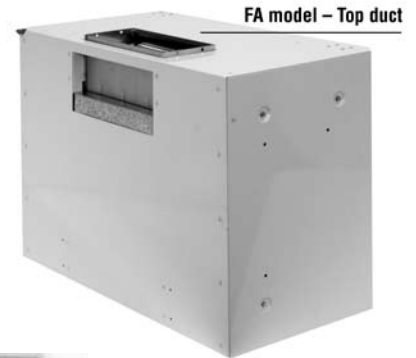
· FA60-1
 · FA90-1
 · FA90-2
 · MT60-1
 · MT90-1
 · MC10-2
 · UCH50-1
 · UCH80-1
 · UCH80-2
 · UCH100-2
 · UCH120-2
 · UV500-1
 · UV800-1
 · UV800-2
 · UV1000-2
 · UV1200-2
 · UV1200-3
 · UV1500-3

Duct direction for UV / FA models

The photo's show a UV rear ducted and a FA top ducted unit. To change the direction under the motor bolts (B) on both sides of the motor. The motor can then be changed to point in the direction required. Replace the bolts and tighten.



UV model – Rear duct



FA model – Top duct



Installation instructions Fold Away model (FA)

1. The rangehood can now be installed by inserting screws in the three holes provided on each side or to the top or back by drilling your own mounting holes as required.
2. When installed, cover the access holes to the side fixing screws with the plastic plugs supplied.
3. Fit filters.

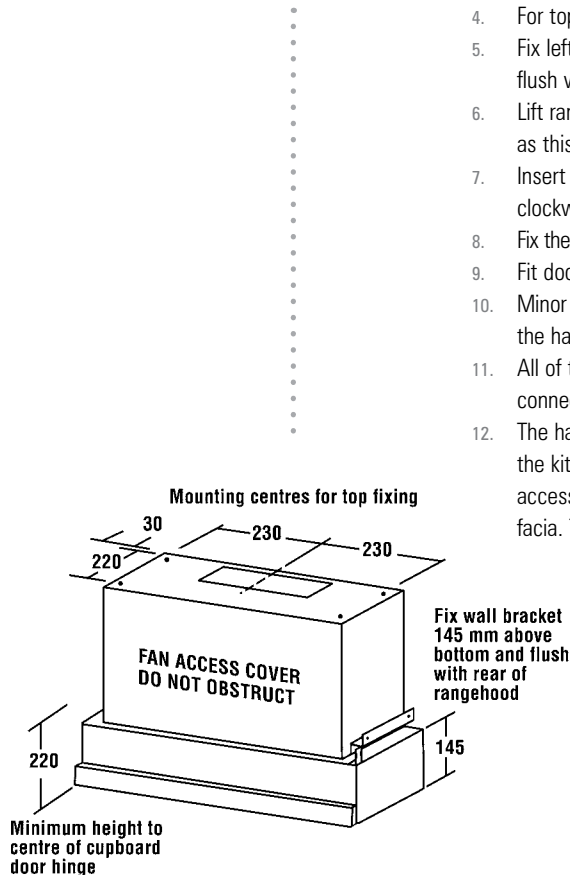
Duct direction for MT model only

To change the duct direction, proceed as follows:

1. Remove the screws from the fan access panel and remove access panel.
2. Unscrew the 2 x 7mm hex head screws.
3. Rotate the fan assembly so that the air outlet meets with the rangehood outlet hole through which you are going to vent (top or back).
4. Replace the 2 x 7mm screws.
5. Refit the fan access panel.

Installation instructions Mini Trim model & Marcel (MT & MC)

1. Fit a shelf at 410mm from the base of the cupboard.
2. Note hinge location prior to drilling.
3. Work from the centre line mark and drill 4 x M5 to M8 holes.
4. For top ducted models, cut out hole for the ducting allow 20mm clearance.
5. Fix left and right hand mounting brackets (supplied) 145mm from the base of the cupboard flush with the rear of the unit. Notch to the back.
6. Lift rangehood onto mounting brackets by holding either end. DO NOT use the slide mechanism as this may cause damage.
7. Insert the 4 x 50mm pan head screws supplied through the shelf and into the rangehood. Turn clockwise to level the rangehood.
8. Fix the rangehood position by inserting 2 x 8 1/2inch screws through the left and right hand brackets.
9. Fit doors.
10. Minor adjustments may be required on the rangehood handle. Loosen the screws on the rear of the handle and adjust handle position and re-tighten. The rangehood handle can be replaced.
11. All of the rangehoods shown on pages 1 and 8 are supplied with a 10AMP plug and lead for connection to a 10AMP GPO, which must be in an accessible position.
12. The handle can be removed and replaced with one made by the cabinet maker to fit in with the kitchen cabinets. The MT-90 has 3 screws and the MT-60 has 2 screws. These can be accessed by sliding the fascia out and un-screwing the front from underneath and behind the fascia. The handle will come off by tilting it forward from the top.

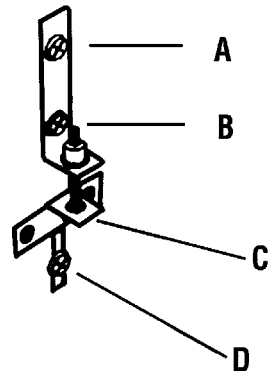


Installation instructions

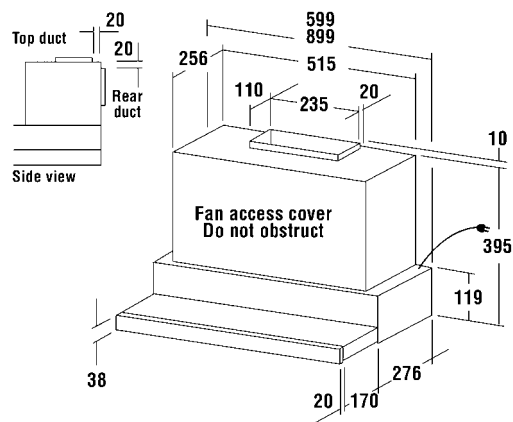
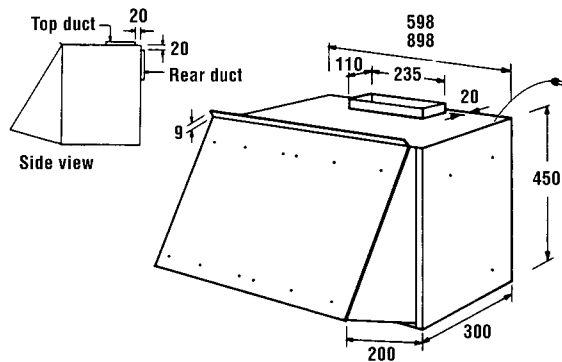
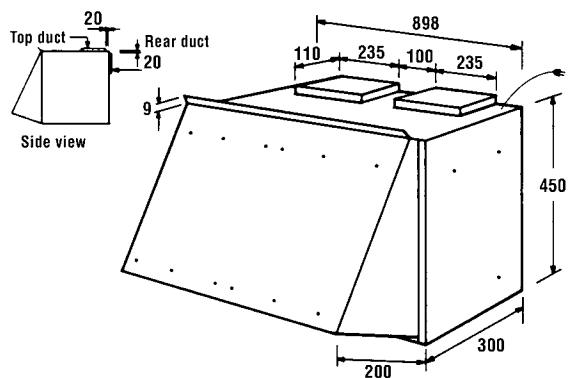
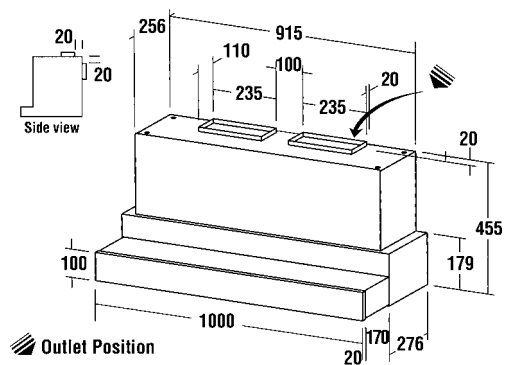
For Under cupboard and Universal model (**UCH & UV**)

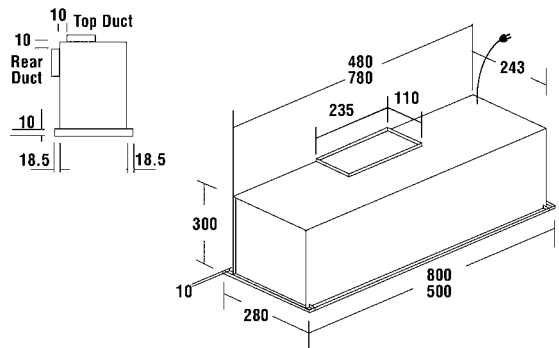
Make cut out to the following sizes.

Model	Hood size	Base size	Cut out dimension
UCH50	243 x 480	280 x 500	260 x 485
UCH80	243 x 780	280 x 800	260 x 785
UCH100	243 x 980	280 x 1000	260 x 985
UCH120	243 x 1180	280 x 1200	260 x 1185
UV500	390 x 480	430 x 500	398 x 485
UV800	390 x 780	430 x 800	398 x 785
UV1000	390 x 980	430 x 1000	398 x 985
UV1200	390 x 1180	430 x 1200	398 x 1185
UV1500	390 x 1480	430 x 1500	398 x 1485



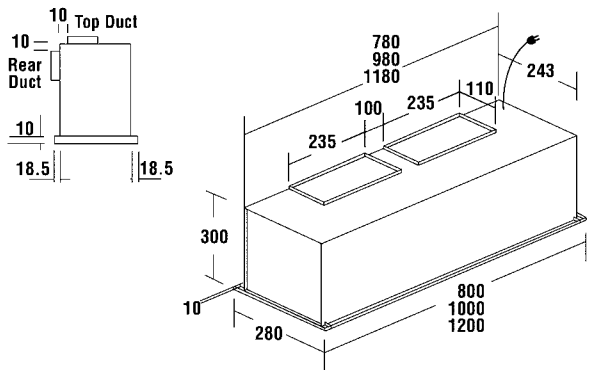
Loosen screws A and B by turning anti-clockwise.
 Insert rangehood into cut out and turn screw 'C' clockwise to align rangehood with cupboard base.
 Do not over tighten.
 Tighten screw 'A' by turning clockwise to lock fixing bracket.
 Fit off ductwork as required.
 To remove rangehood, turn screw 'D' clockwise.

Executive Range **MT60-1 / 90-1**Executive Range **FA60-1 / FA90-1**Executive Range **FA90-2**Gallery **MC10-2**



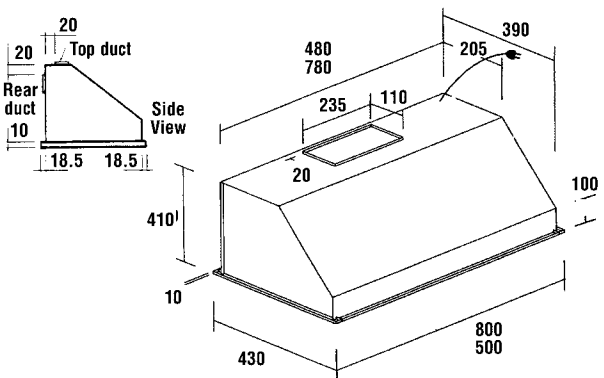
A word of warning with the UCH models. If using this hood and boiling for long periods of time (15 minutes plus) condensation will form on the filters. Using high speed will cause water to drop back on to the hot plate. In all cases use low speed and only one motor even if the hood has two. It is better to use a Universal rangehood, as it has a larger filter area.

Executive Range **UCH50-1 / 80-1**

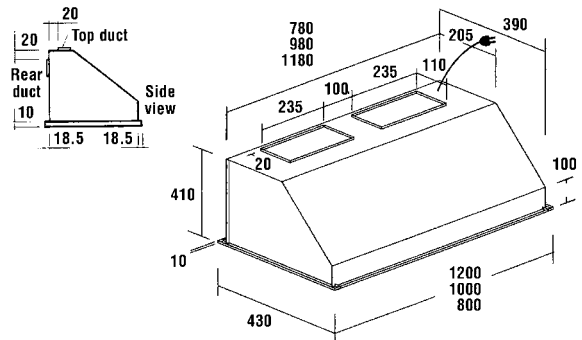


A word of warning with the UCH models. If using this hood and boiling for long periods of time (15 minutes plus) condensation will form on the filters. Using high speed will cause water to drop back on to the hot plate. In all cases use low speed and only one motor even if the hood has two. It is better to use a Universal rangehood, as it has a larger filter area.

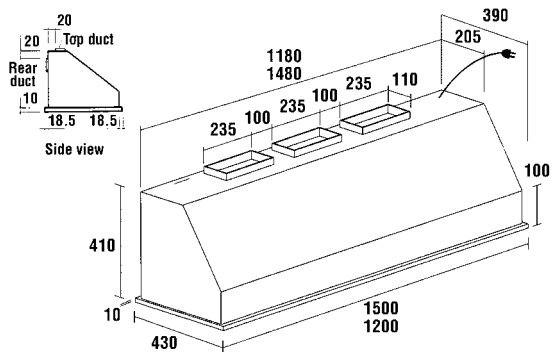
Executive Range **UCH80-2 / 100-2 / 120-2**



Executive Range **UV500-1 / 800-1**



Executive Range **UV800-2 / 1000-2 / 1200-2**



Executive Range **UV1200-3 / 1500-3**