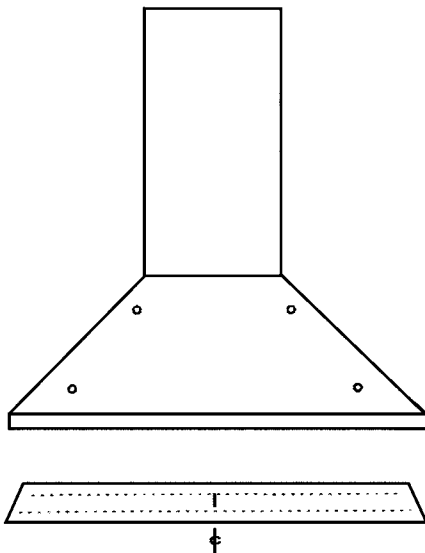


Installation must be carried out by the procedure outlined. Failure to do so may void the guarantee.

**Electrical:** Wiring to the appliance must comply with State and local Regulations. Connection must be carried out by a registered electrician.

## Recommended fixing points



**Mounting bracket:** Use vertically punched slot for centre line

Before cutting any holes check ceiling space for structural beams. It may be possible at this point to relocate the hood position.

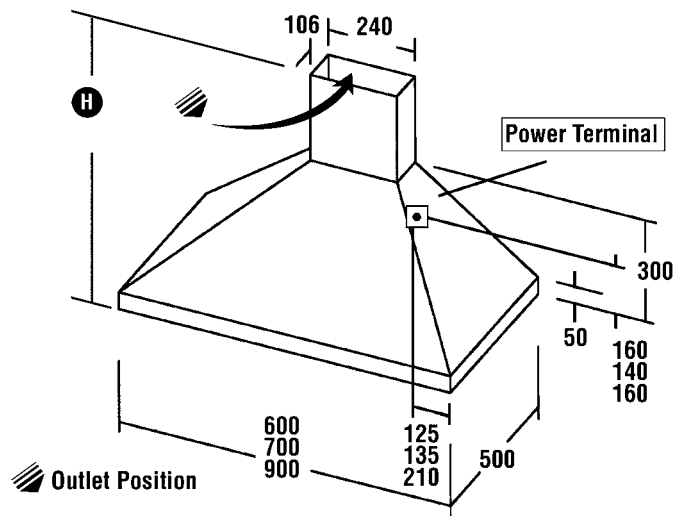
The fixing points are prepunched holes in the back of the hood and it may be necessary to drill through the back of the hood into the wall studs.

# INSTRUCTIONS for models

600H  
700H  
900H  
1000H  
1200H  
1500H  
PYR-900

## Installation instructions

1. Remove canopy and flue from boxes and check you have correct model and flue.
2. Locate centre point of stove.
3. Use level or plumb line to mark centre up to ceiling.
4. Mark level line for base of canopy 700-800mm above bench 750mm desirable.
5. Check roof space above for wires and obstructions as now is the time to decide on any changes to location due to immovable obstructions.
6. Mark flue size on ceiling and cut neat exact hole to pass flue through.
7. For rear ducted models cut hole in wall for vent to pass through.
8. Fix mounting bracket to wall at desired height.
9. Remove fan(s) from canopy by removing side fixing bolts and disconnecting electrical plug at flexible connector.
10. Locate solid fixing points on wall and drill holes in rear of canopy to suit. If no solid fixing is available then now is the time to install fixing points. Four points are recommended with one on each side at top and one on each side at bottom.
11. Drill hole in rear of unit to pass power connection through where available on wall.
12. Check flue slides through hole in ceiling.
13. Place canopy flat on floor and fit stainless flue over spigot pushing all the way down for a neat fit. Drill hole in rear of flue and fix to canopy with pop rivet or screw.
14. Carefully lift canopy into position, guiding flue through ceiling and feeding power cable through hole in rear of canopy. Make sure canopy is sitting correctly on mounting bracket then fix to wall through fixing holes with solid screws. (You may need to place a packer behind canopy if wall is bowed to make the canopy sit correctly).
15. Complete electrical connection to 10 AMP junction box to local electrical authority regulations ensuring power is turned off during work.
16. Fit ducting to outside or exterior wall vent for rear ducted models. (Seal rear vents onto rear of hood with silicone). A plumber should seal roof penetration with appropriate flashing. All joins in ducting need to be sealed with duct tape or silicone and only use approved ducting of the correct size for your canopy.
17. Fit motor(s) back into canopy with fixing bolts and plug electrical connector in.
18. Test run hood.

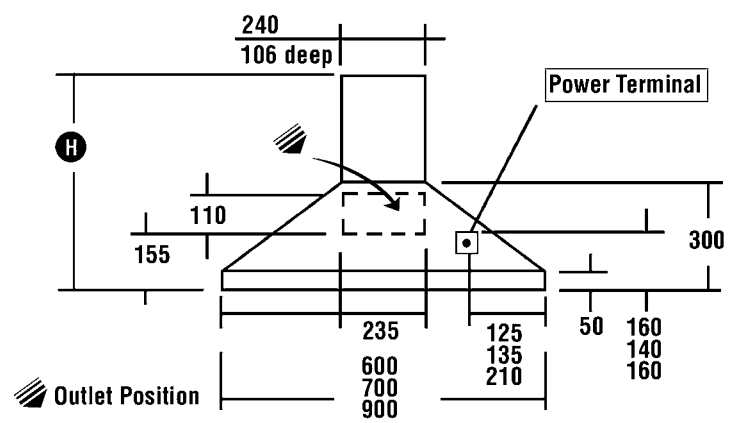


**Heritage Models**

|      |            |
|------|------------|
| 600H | Top Ducted |
| 700H | Top Ducted |
| 900H | Top Ducted |

- Duct outlet dimension 240 x 106mm
- Standard single motor ducting will fit
- Electrical – 10AMP junction box

It is recommended that the hood be positioned 700 to 800 above the cooktop. QASAIR suggests 750 and the DLE flues supplied are either 600/900/1200 or 1500 long. Please ensure you have the correct flue before installing the hood.



**Heritage Models**

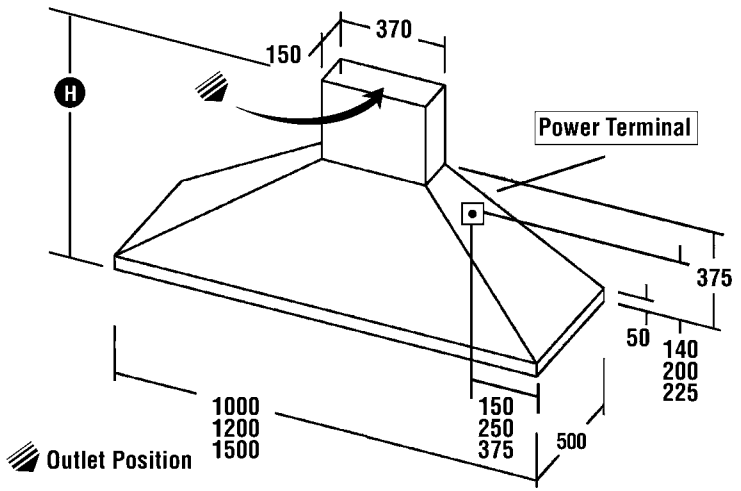
|      |             |
|------|-------------|
| 600H | Back Ducted |
| 700H | Back Ducted |
| 900H | Back Ducted |

- Duct outlet dimension 235 x 110mm
- Standard single motor ducting will fit
- Electrical – 10AMP junction box

**Heritage Models**

|       |            |
|-------|------------|
| 1000H | Top Ducted |
| 1200H | Top Ducted |
| 1500H | Top Ducted |

- Duct outlet dimension 370 x 150mm
- Standard 2 motor ducting will fit
- Electrical – 10AMP junction box

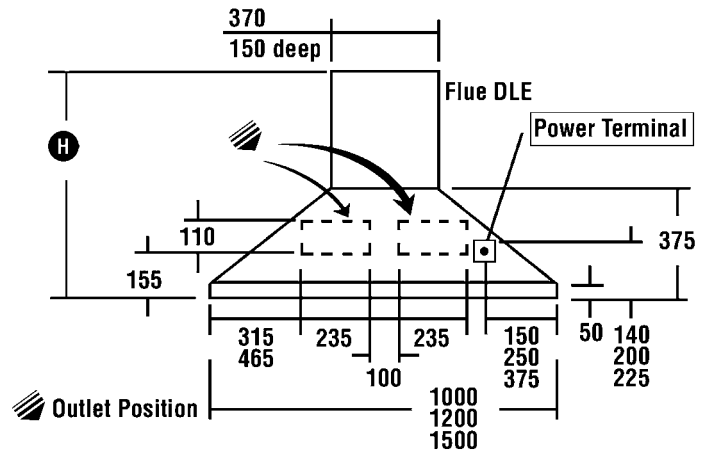


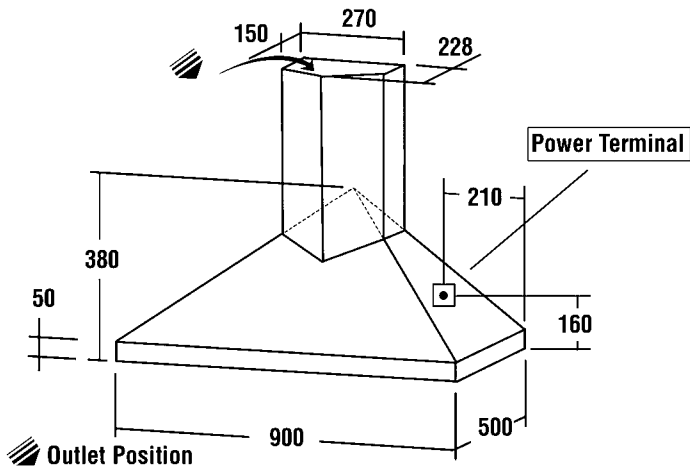
It is recommended that the hood be positioned 700 to 800 above the cooktop. QASAIR suggests 750 and the DLE flues supplied are either 600/900/1200 or 1500 long. Please ensure you have the correct flue before installing the hood.

**Heritage Models**

|       |             |
|-------|-------------|
| 1000H | Back Ducted |
| 1200H | Back Ducted |
| 1500H | Back Ducted |

- Duct outlets dimension 235 x 110mm
- Standard single motor ducting will fit
- Electrical – 10AMP junction box



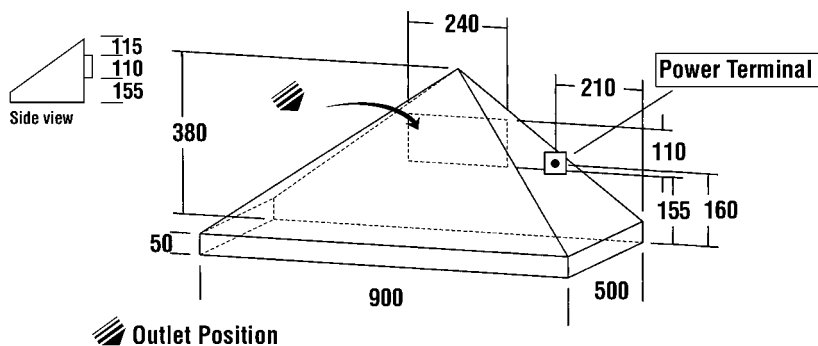


### Pyramid PYR-900

PYR-900

Top Ducted

- Duct outlet dimension 235 x 110mm
- Standard single motor ducting will fit
- Electrical – 10AMP junction box



### Pyramid PYR-900

PYR-900

Back Ducted

- Duct outlet dimension 235 x 110mm
- Standard single motor ducting will fit
- Electrical – 10AMP junction box