

Installation must be carried out by the procedure outlined. Failure to do so may void the guarantee.

Electrical: Wiring to the appliance must comply with State and local Regulations. Connection to be carried out by a registered electrician.

Installation instructions

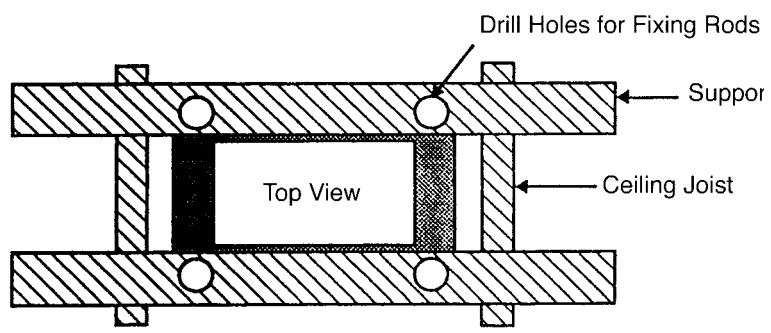
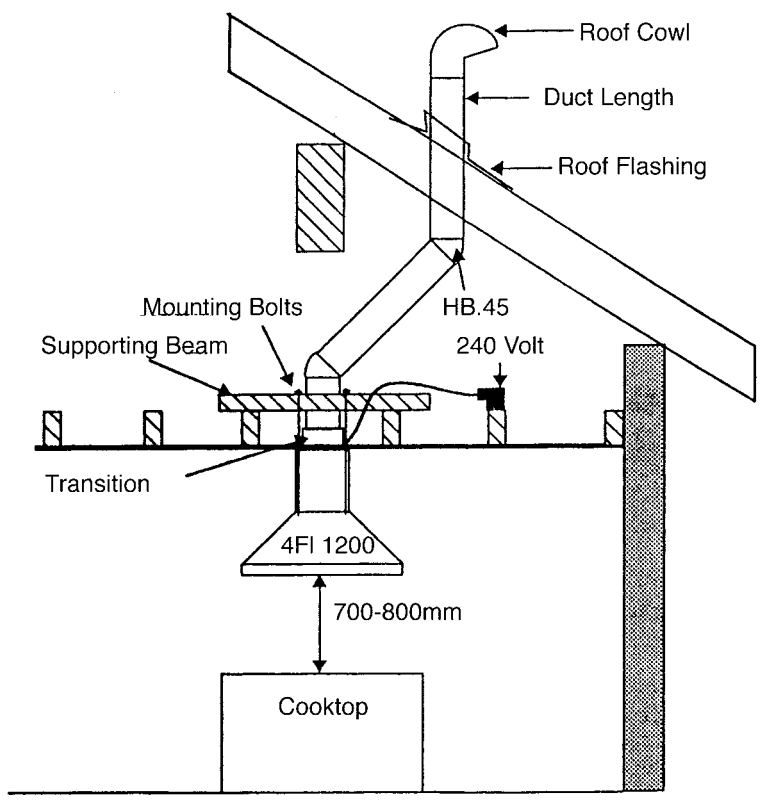
It is recommended that the rangehood be mounted 100mm back from the edge of the benchtop.

1. The rangehood can be installed between 700mm and 800mm above the cooking surface. The installer should check for local requirements in case additional provisions apply.
2. It is advisable to remove fans for easier handling of unit by removing retaining bolts or clips and unplugging electrical connector.
3. Measure hole centres and duct size on top of the rangehood. This will vary with the hood size, model and number of fans fitted and will determine the ducting required.
4. Using a plumb line, mark the ceiling before making the cut out. Check for obstructions like electrical cables etc.
5. Cut two (2) supporting beams approximately 1.0m long and pre-drill hole centres so that the supporting beams are 90 degrees to the ceiling joists.
6. Fit 8mm all thread (threaded rod) through holes provided and secure with nuts and washers.
7. Level unit by tensing the 8mm nuts. Do not over tighten.
8. Fit off ducting as required.

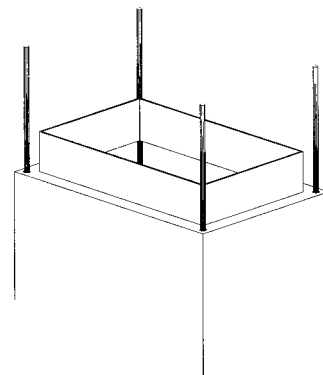
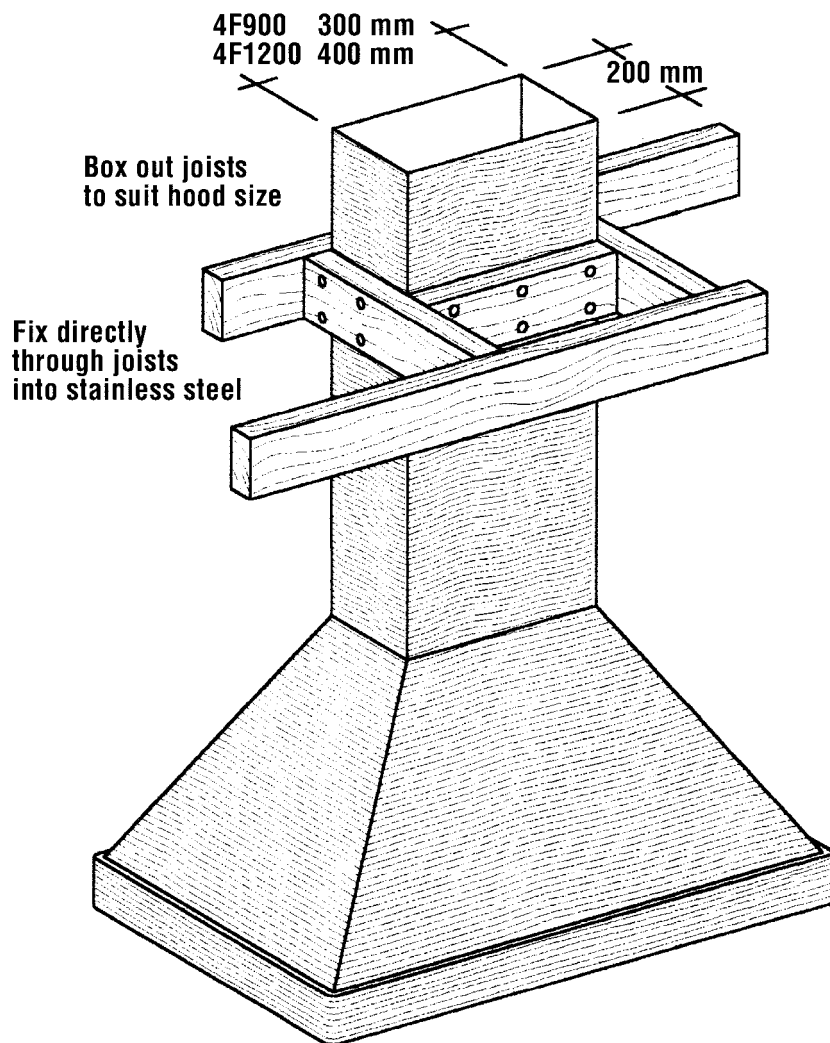
INSTRUCTIONS for models

Island Rangehoods

· 4F900-2
 · 4F1200-2
 · MHR100-2
 · MHR1200-2
 · MHR1500-2
 · MHR1500-3
 · VIS900-2
 · VIS1200-2
 · VIS1200-3
 · VIS1500-3
 · PRE900-2
 · PRE1200-2
 · DIPL900-2
 · DIPL1200-2
 · DIPL1500-3
 · DIPL1800-3
 · D400-1
 · SQ420-2
 · FPR-2
 · MA2000-3000-4



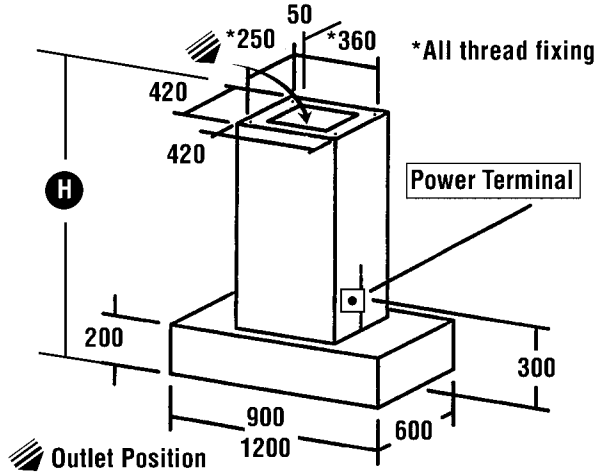
Island hood fixing – for flat, cathedral and exposed beam roofs.



Diplomat

DIPL-900-2 Island Hood
DIPL-1200-2 Island Hood

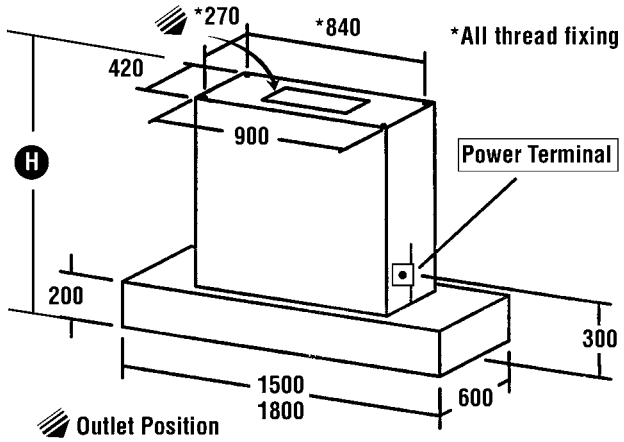
- Duct outlet dimension 250 x 250mm
- Standard 250 sq ducting will fit
- Electrical – 10AMP junction box

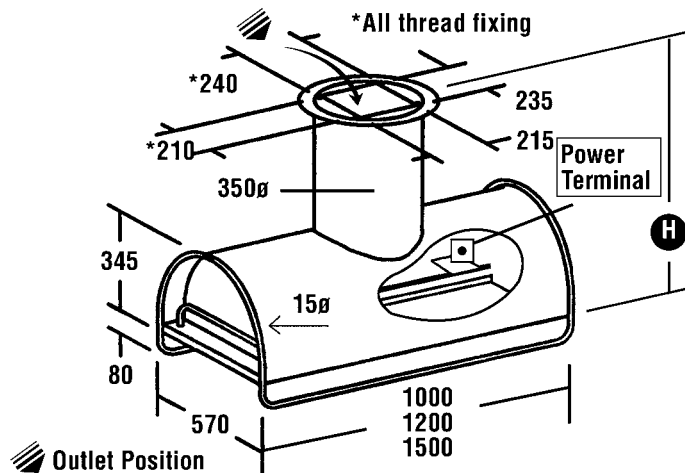


Diplomat

DIPL-1500-3 Island Hood
DIPL-1800-3 Island Hood

- Duct outlet dimension 400 x 200mm
- Standard 3 motor ducting will fit
- Electrical – 10AMP junction box

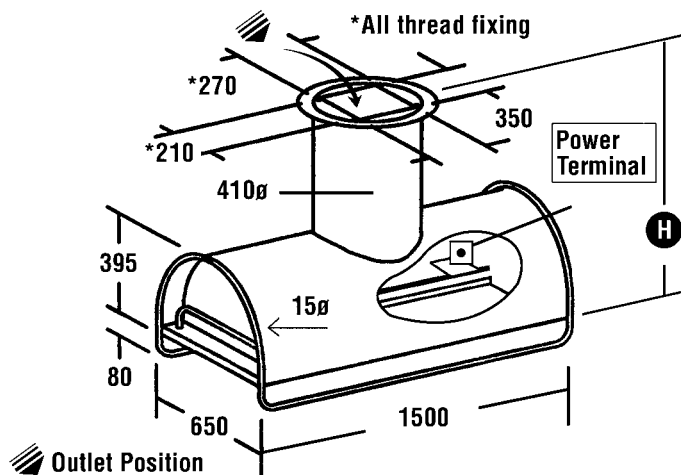




Monarch

MHR-1000-2	Island Hood
MHR-1200-2	Island Hood
MHR-1500-2	Island Hood

- Duct outlet dimension 250 x 250mm
- Standard 250 sq ducting will fit
- Electrical – 10AMP junction box
- * Ceiling flange supplied with hood



Monarch

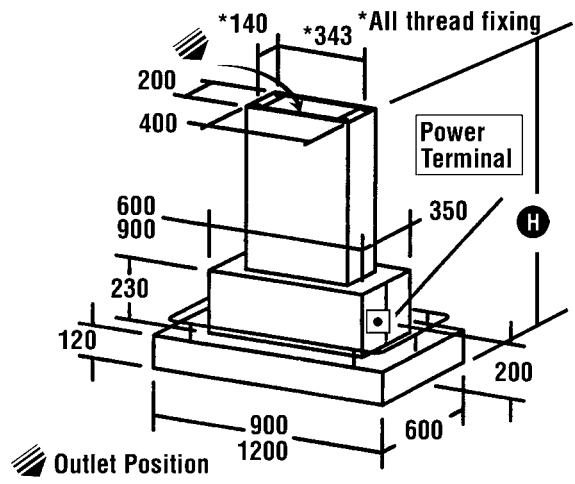
MHR-1500-3	Island Hood
------------	-------------

- Duct outlet dimension 350 ϕ
- Standard 3 motor ducting will fit
- Electrical – 10AMP junction box
- * Ceiling flange supplied with hood

Viscount

VIS-900-2	Island Hood
VIS-1200-2	Island Hood

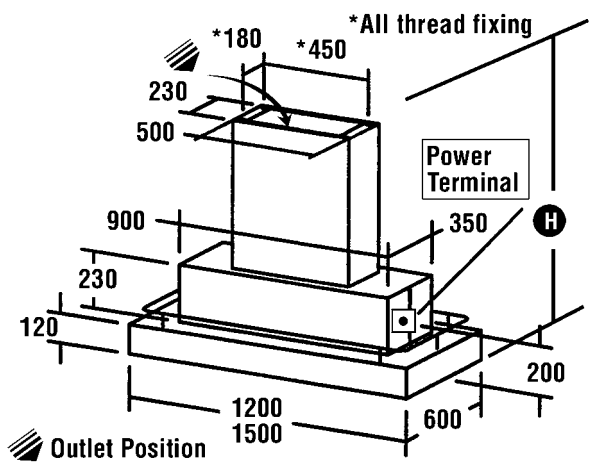
- Duct outlet dimension 300 x 165mm
- Transition piece supplied with Hood to DL-2 ducting
- Electrical – 10AMP junction box

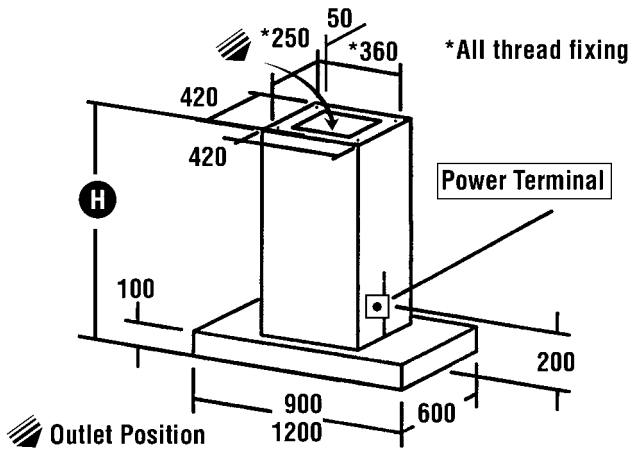


Viscount

VIS-1200-3	Island Hood
VIS-1500-3	Island Hood

- Duct outlet dimension 400 x 200mm
- Standard 3 motor ducting will fit
- Electrical – 10AMP junction box



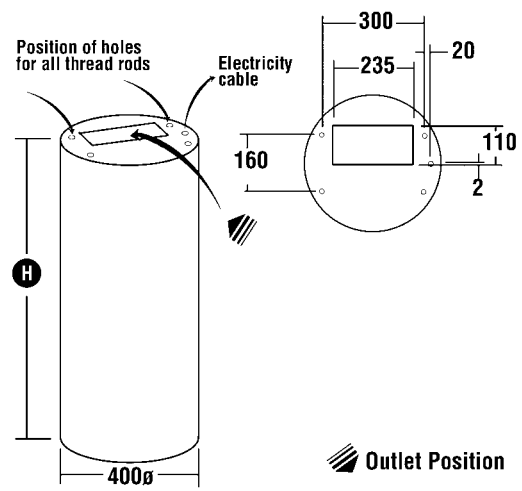


President

PRE-900-2
PRE-1200-2

Island Hood
Island Hood

- Duct outlet dimension 250 x 250mm
- Standard 250 sq ducting will fit
- Electrical – 10AMP junction box



Argyle D400

D400

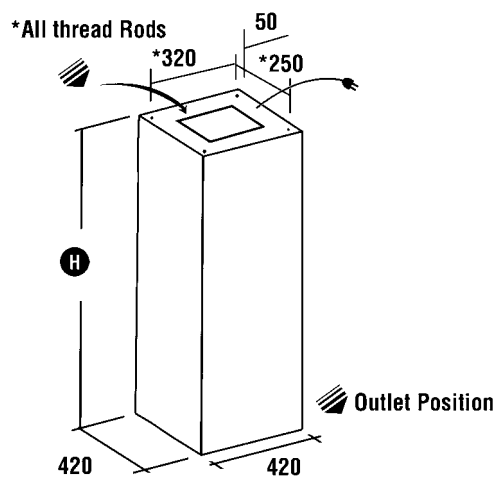
Island Hood

- Duct outlet dimension 110 x 235mm
- Standard DL-1 ducting will fit
- Electrical – 10AMP junction box

Argyle SQ

SQ-420-2 Island Hood

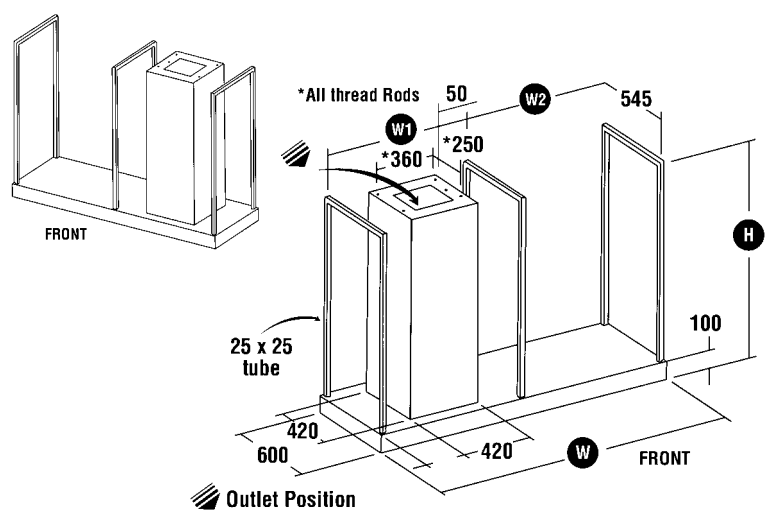
- Duct outlet dimension 250sq
- Standard 250mm ducting will fit
- Electrical – 10AMP junction box

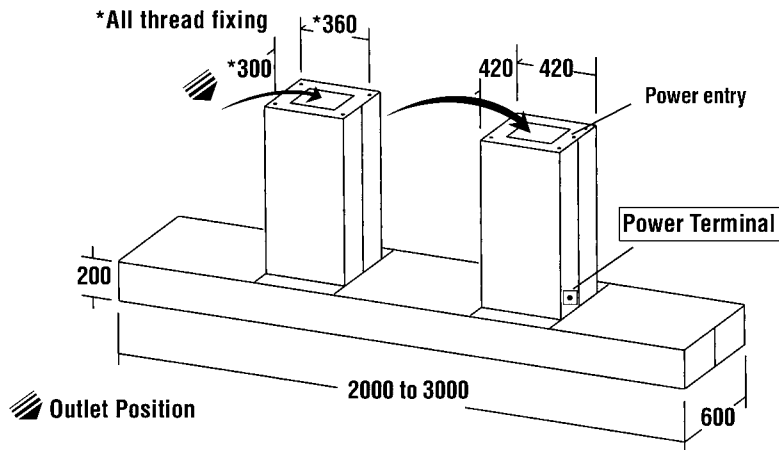


Argyle FPR

FPR-2 Island Hood

- Duct outlet dimension 250sq
- Standard 250mm ducting will fit
- Electrical – 10AMP junction box





Maddison MA

MA-2000-3000-4 Island Hood

- Duct outlet dimension 250sq
- Standard four motor ducting will fit or
- Electrical – 10AMP junction box