

Installation must be carried out by the procedure outlined. Failure to do so may void the guarantee.  
 Electrical: Wiring to the appliance must comply with State and local Regulations. Connection to be carried out by a registered electrician.

## Installation instructions

1. Remove hood from packaging being careful not to touch stainless steel front.
2. Locate centre of stove and using level or plumb line, mark centre line up to ceiling.
3. Measure height of hood and mark same distance down from ceiling with level line.
4. Mark where ducting needs to be cut either on wall or ceiling, check for wires and timber, then cut hole for ducting.
5. Locate solid fixing points on wall (This hood is very heavy and requires good solid fixing points). If necessary fit some solid fixing timber to wall behind hood now.
6. Mark fixing points on rear of hood and drill fixing holes to take solid screws.
7. Drill hole in rear or top of the hood to take electrical cable.
8. It may be easier to remove fans for easier fixing and weight when installing.
9. If you do not have adjustable stands you can cut some temporary timber props to sit canopy on when you lift into position, to hold it while you fit fixing screws.
10. You need two people to lift this canopy into position. \* Do not attempt this on your own, as you could cause yourself injury and damage the hood or stove. CAUTION: Do not under any circumstances lift from the front of the hood or put any pressure on the front face as you will damage the hood permanently.
11. Carefully lift hood into position and sit on stands to level hood, then screw hood into position through fixing holes. Make sure you put fixing holes high up in the hood to stop it falling forward.
12. Fit ducting to hood to the outside atmosphere as required either through the roof with appropriate flashing by a plumber or through the rear wall vent, which needs to be siliconed to the rear of the hood. Always use approved ducting and seal all duct joins with duct tape or silicone.
13. An electrician should make the electrical connection to the hood by connecting to the 10 AMP junction box. Ensure power is turned off during this procedure.
14. Refit fans to hood, insert filters and test.

# INSTRUCTIONS for models

QR900-1

QR900-2

QR1200-2

BRH600-1

BRH900-1

BRH900-2

BRH1000-2

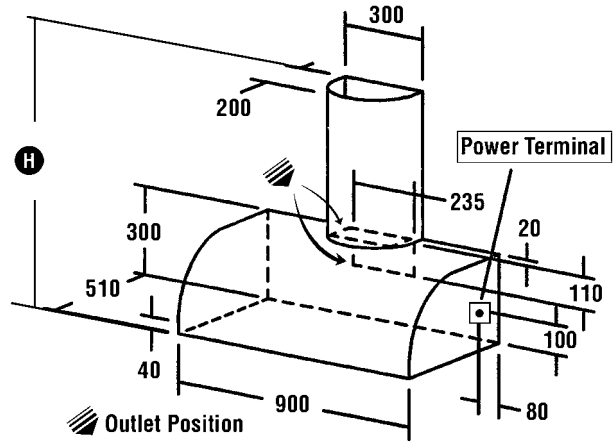
BRH1200-2

**Handy hints:** Sometimes it is easier to lift the hood with a person in the roof space pulling up on a rope attached to a wooden block placed inside base of hood and a second person down the bottom guiding the hood into position.

**Marquis**

QR-900-1      Top / Back Ducted

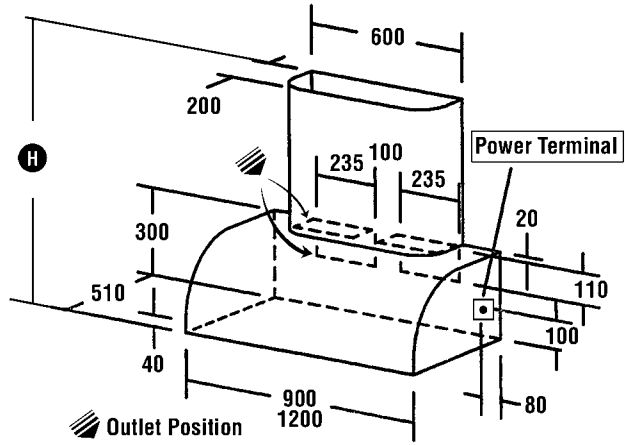
- Duct outlet dimension 235 x 110mm
- Supplied with the rangehood  
1 length of DL-1
- Electrical – 10AMP junction box

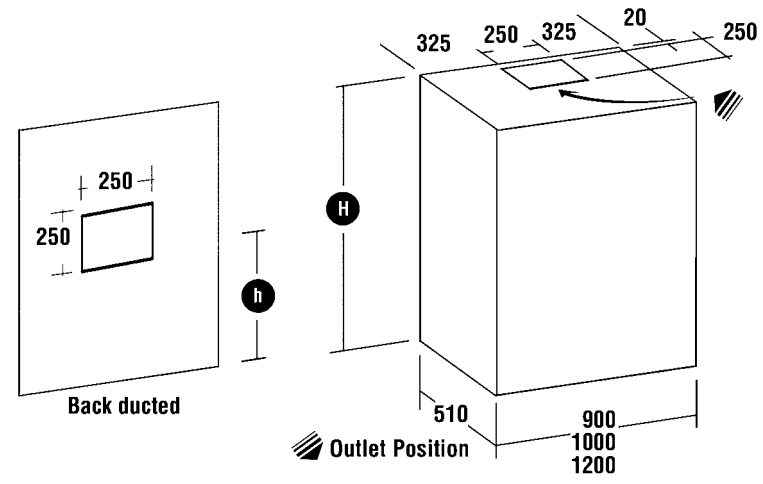
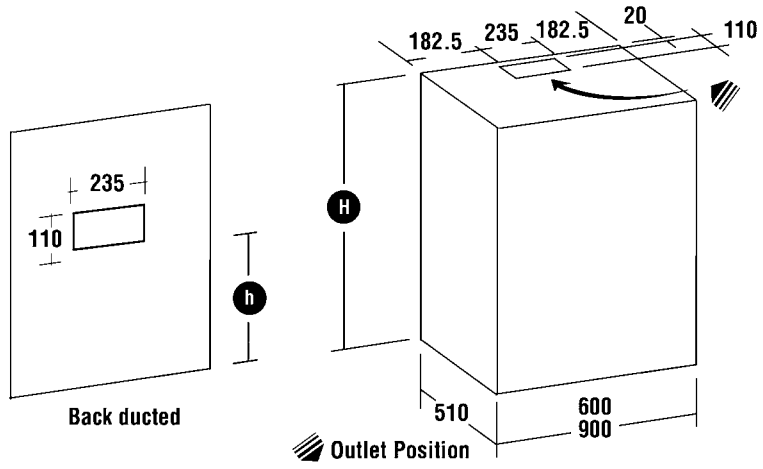


**Marquis**

QR-900-2      Top / Back Ducted  
QR-1200-2      Top / Back Ducted

- Duct outlets dimension 235 x 110mm  
each
- Supplied with the rangehood  
2 lengths of DL-1
- A transition TMT can be used on top of the  
motors to DL-2
- Electrical – 10AMP junction box





**Argyle BRH**

BRH-600-1	Top / Back Ducted
BRH-900-1	Top / Back Ducted
BRH-900-2	Top / Back Ducted
BRH-1000-2	Top / Back Ducted
BRH-1200-2	Top / Back Ducted

- Duct outlets dimension 235 x 110mm each
- Standard single motor ducting will fit or 250sq for twin motor
- Electrical – 10AMP junction box