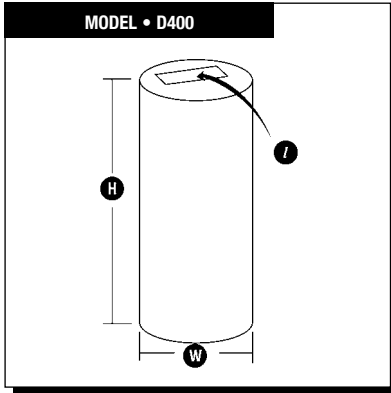


SPECIFICATION SHEET FOR RANGEHOODS

ARGYLE RANGE

November 2008

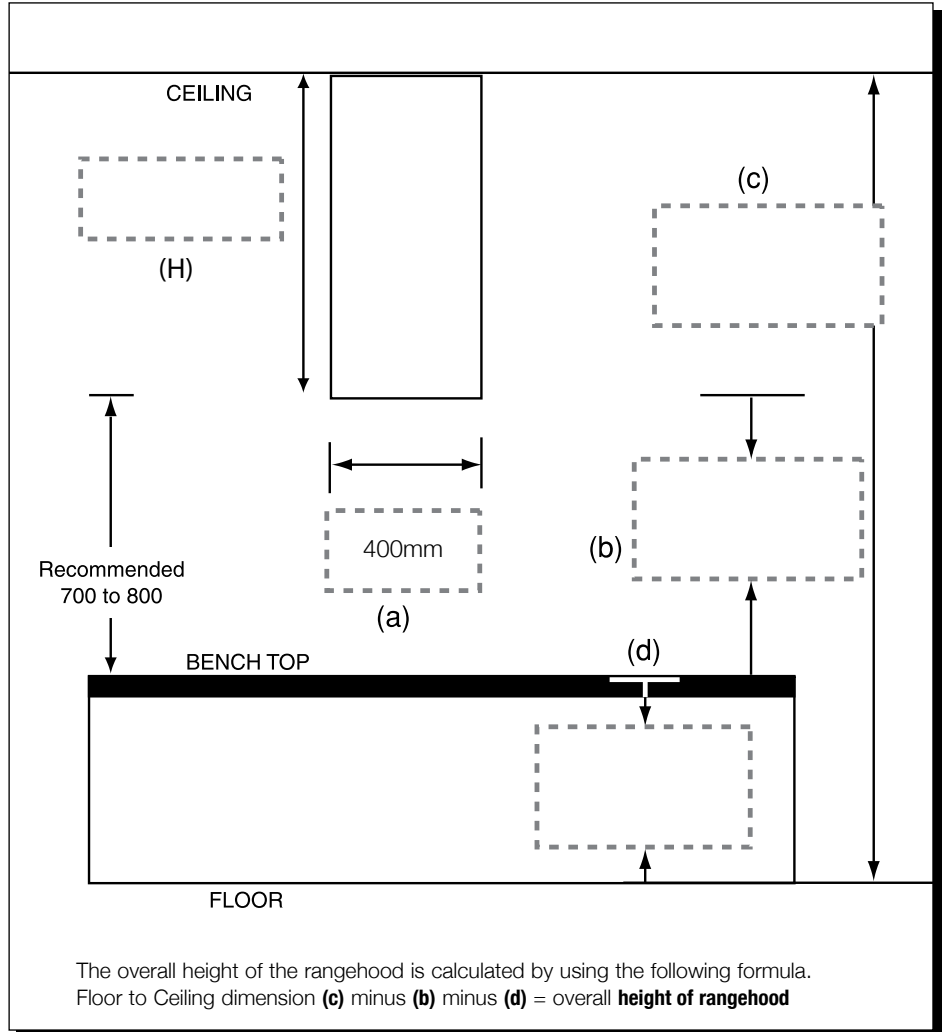


Model - **D400**

Max Standard Height **H** 1500mm
 Min Standard Height **H** 520mm
T – Top Ducted, Island Hood

W = 400ø **I** = 235 x 110

Alterations to any of these dimensions will mean a quotation is necessary.



DATE _____ ORDER NO. _____

COMPANY _____

CONSULTANT _____

TYPE OF HOTPLATE _____

BRAND OF HOTPLATE _____

DATE REQUIRED _____

DELIVERY ADDRESS _____

COMMENTS _____

| NUMBER REQUIRED | |
|-----------------|--------------------------|
| D400-1 x 1 | <input type="checkbox"/> |
| D400-1 x 2 | <input type="checkbox"/> |
| D400-1 x 3 | <input type="checkbox"/> |

NOTE

The D400 Rangehood is made with the switches underneath. The standard maximum height is 1500mm and standard diameter is 400mm. Single motor rangehood has 3 switches. Any variation to the above will mean the hood has to be specially made and will be subject to a quotation. **The order will not be confirmed until this form is completed.**

FACSIMILE

MELBOURNE (03) 9482 7011 (VIC) SYDNEY (03) 9316 9299 (NSW) BRISBANE (07) 3282 9122 (QLD) CANBERRA (02) 6239 2750 (ACT)

ADELAIDE (08) 8449 6973 (SA) PERTH (08) 9381 6000 (WA) HOBART (03) 6231 6662 (TAS)

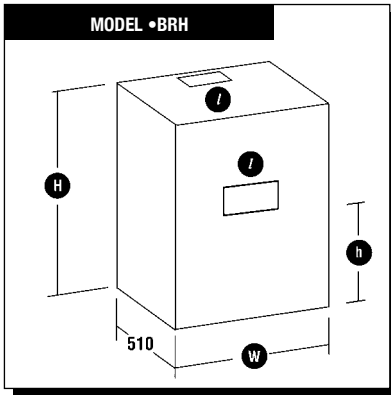
DARWIN (08) 8947 0419 (NT)

QASAIR RESERVES THE RIGHT TO CHANGE SPECIFICATION WITHOUT NOTICE. ® IS A REGISTERED TRADE MARK.

SPECIFICATION SHEET FOR RANGEHOODS

ARGYLE RANGE

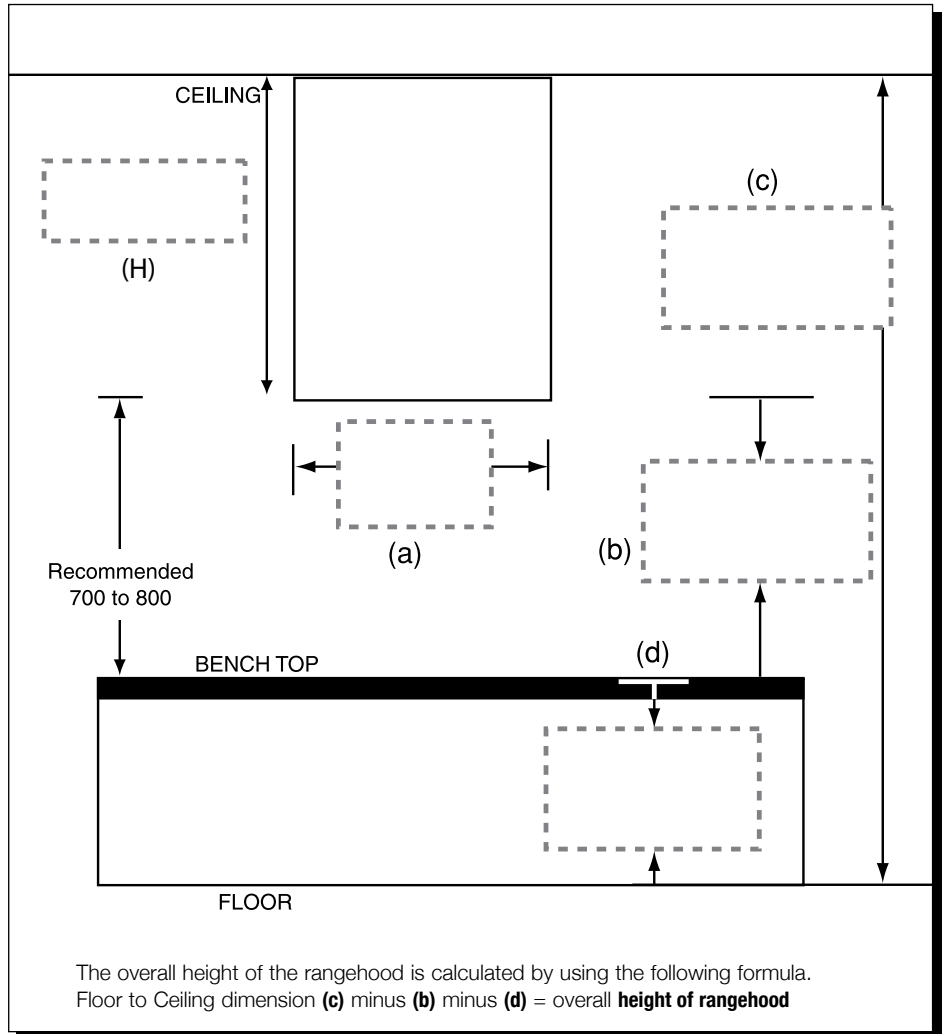
November 2008



Model – BRH

Max Standard Height **H** 1450mm
 Min Standard Height **H** 400mm
T – Top Ducted or **B** – Back Ducted
h – minimum 100mm
W = 600-1 **I** = 235 x 110
W = 900-1 **I** = 235 x 110
W = 900-2 **I** = 250 x 250

Alterations to any of these dimensions will mean a quotation is necessary.



MODEL REQUIRED

BRH 600-1

BRH 900-1

BRH 900-2

DUCTING

Top Ducted

Back Ducted

QUOTE REQUIRED

CUSTOM

Please fill in dimensions

Drawing attached

Number of motors

DATE _____ ORDER NO. _____

COMPANY _____

CONSULTANT _____

TYPE OF HOTPLATE _____

BRAND OF HOTPLATE _____

DATE REQUIRED _____

DELIVERY ADDRESS _____

COMMENTS _____

DIMENSIONS W mm H mm D mm

NOTE

The BRH Rangehood is made with the switches underneath. The standard maximum height is 1450mm and standard depth is 510mm. Single motor rangehood has 3 switches, twin motor has 5 switches. Any variation to the above will mean the hood has to be specially made and will be subject to a quotation. **The order will not be confirmed until this form is completed.**

FACSIMILE

MELBOURNE (03) 9482 7011 (VIC) SYDNEY (03) 9316 9299 (NSW) ADELAIDE (08) 8449 6973 (SA)

BRISBANE (07) 3282 9122 (QLD) PERTH (08) 9381 6000 (WA)

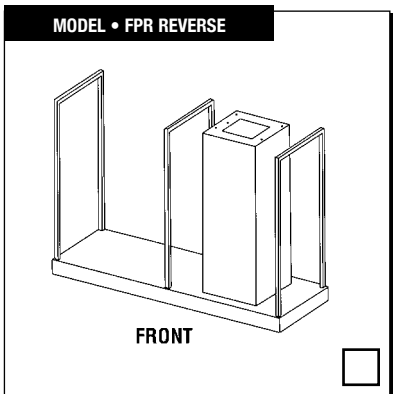
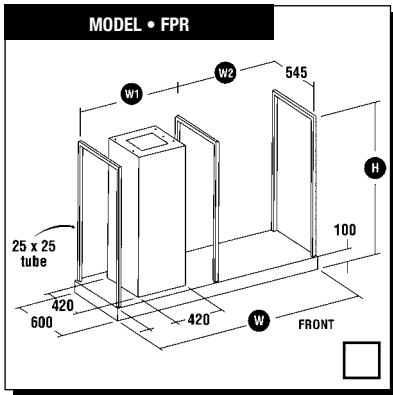
CANBERRA (02) 6239 2750 (ACT) HOBART (03) 6231 6662 (TAS) DARWIN (08) 8947 0419 (NT)

QASAIR RESERVES THE RIGHT TO CHANGE SPECIFICATION WITHOUT NOTICE. © IS A REGISTERED TRADE MARK.

SPECIFICATION SHEET FOR RANGEHOODS

ARGYLE RANGE

November 2008



Model – FPR

Max Standard Height **H** = 1200mm
 Min Standard Height **H** = 500mm
 Max Standard Width **W** = 2600mm
T – Top Ducted

The following dimensions are variable
W – W1 – W2 – H Unit shown can be reversed so that hood is at the other end

Alterations to any of these dimensions will mean a quotation is necessary.

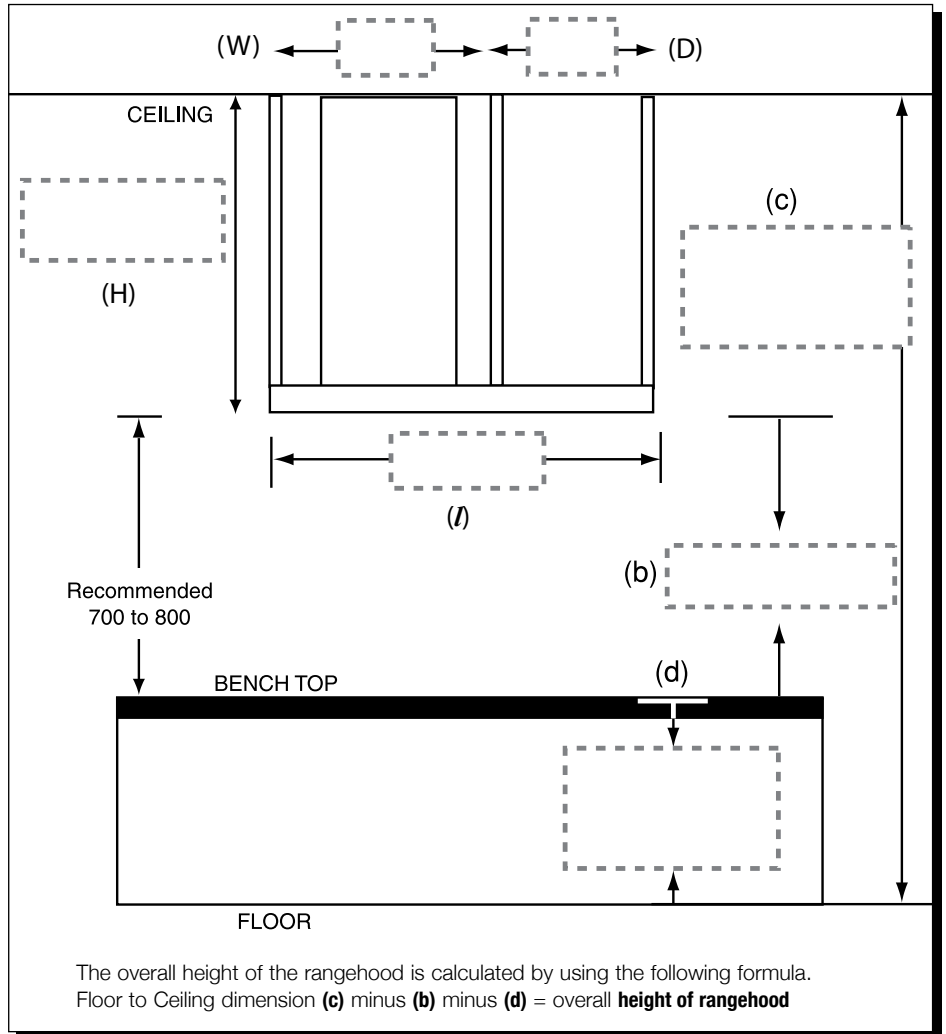
MODEL REQUIRED

FPR-2T

QUOTE REQUIRED

CUSTOM
 Please fill in dimensions
 Drawing attached

Tick which direction is required.



DATE _____ ORDER NO. _____

COMPANY _____

CONSULTANT _____

TYPE OF HOTPLATE _____

BRAND OF HOTPLATE _____

DATE REQUIRED _____

DELIVERY ADDRESS _____

COMMENTS _____

DIMENSIONS W mm W1 mm W2 mm H mm

NOTE

The FPR Rangehood is made with the switches underneath. The standard maximum height is 1200mm and standard maximum width is 2600mm. Twin motor rangehood has 5 switches. Any variation to the above will mean the hood has to be specially made and will be subject to a quotation. **The order will not be confirmed until this form is completed.**

FACSIMILE

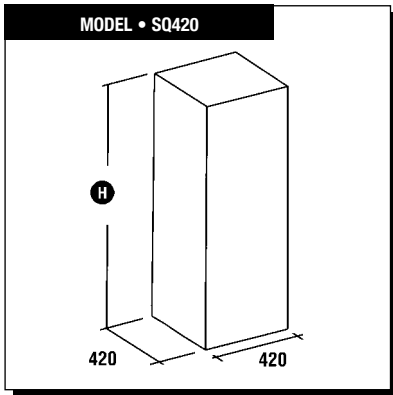
MELBOURNE (03) 9482 7011 (VIC) SYDNEY (03) 9316 9299 (NSW) BRISBANE (07) 3282 9122 (QLD) CANBERRA (02) 6239 2750 (ACT)
 ADELAIDE (08) 8449 6973 (SA) PERTH (08) 9381 6000 (WA) HOBART (03) 6231 6662 (TAS)
 DARWIN (08) 8947 0419 (NT)

QASAIR RESERVES THE RIGHT TO CHANGE SPECIFICATION WITHOUT NOTICE. © IS A REGISTERED TRADE MARK.

SPECIFICATION SHEET FOR RANGEHOODS

ARGYLE RANGE

November 2008



Model – **SQ420**

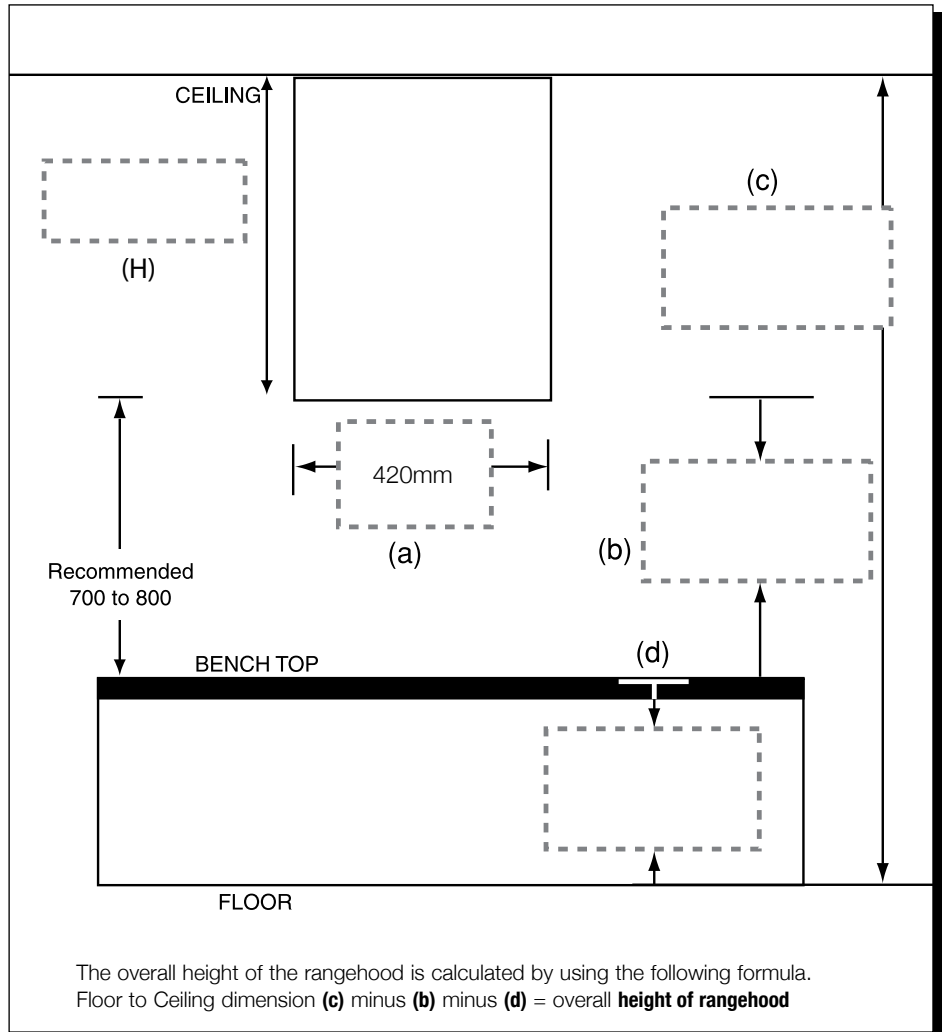
Max Standard Height **H** 1450mm
 Min Standard Height **H** 520mm
T – Top Ducted

Twin motor island rangehood

Alterations to any of these dimensions will mean a quotation is necessary.

| MODEL REQUIRED | |
|----------------|--------------------------|
| SQ-2 | <input type="checkbox"/> |

| QUOTE REQUIRED | |
|---------------------------|--------------------------|
| CUSTOM | <input type="checkbox"/> |
| Please fill in dimensions | |
| Drawing attached | <input type="checkbox"/> |



| | | | |
|-------------------|-------|-----------|-------|
| DATE | _____ | ORDER NO. | _____ |
| COMPANY | _____ | | |
| CONSULTANT | _____ | | |
| TYPE OF HOTPLATE | _____ | | |
| BRAND OF HOTPLATE | _____ | | |
| DATE REQUIRED | _____ | | |
| DELIVERY ADDRESS | _____ | | |
| COMMENTS | _____ | | |

NOTE

The SQ420 Rangehood is made with the switches underneath. The standard maximum height is 1450mm and standard maximum width is 420mm. Twin motor rangehood has 5 switches. Any variation to the above will mean the hood has to be specially made and will be subject to a quotation. **The order will not be confirmed until this form is completed.**

| | | | |
|---|------------------------------|-------------------------------|-------------------------------|
| FACSIMILE | SYDNEY (03) 9316 9299 (NSW) | BRISBANE (07) 3282 9122 (QLD) | CANBERRA (02) 6239 2750 (ACT) |
| MELBOURNE (03) 9482 7011 (VIC) | ADELAIDE (08) 8449 6973 (SA) | PERTH (08) 9381 6000 (WA) | HOBART (03) 6231 6662 (TAS) |
| QASAIR RESERVES THE RIGHT TO CHANGE SPECIFICATION WITHOUT NOTICE. © IS A REGISTERED TRADE MARK. | | | DARWIN (08) 8947 0419 (NT) |