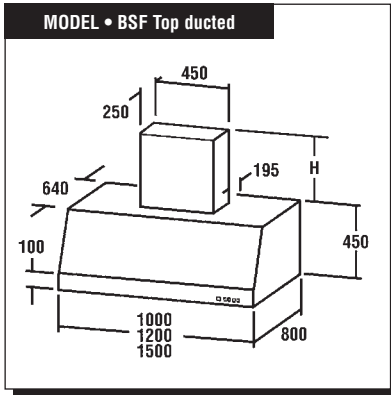


SPECIFICATION SHEET FOR CONDOR RANGEHOODS

CONDOR RANGE

Top Ducted
(Back Ducted – See reverse)



Model – **BSF**

T – Top Ducted

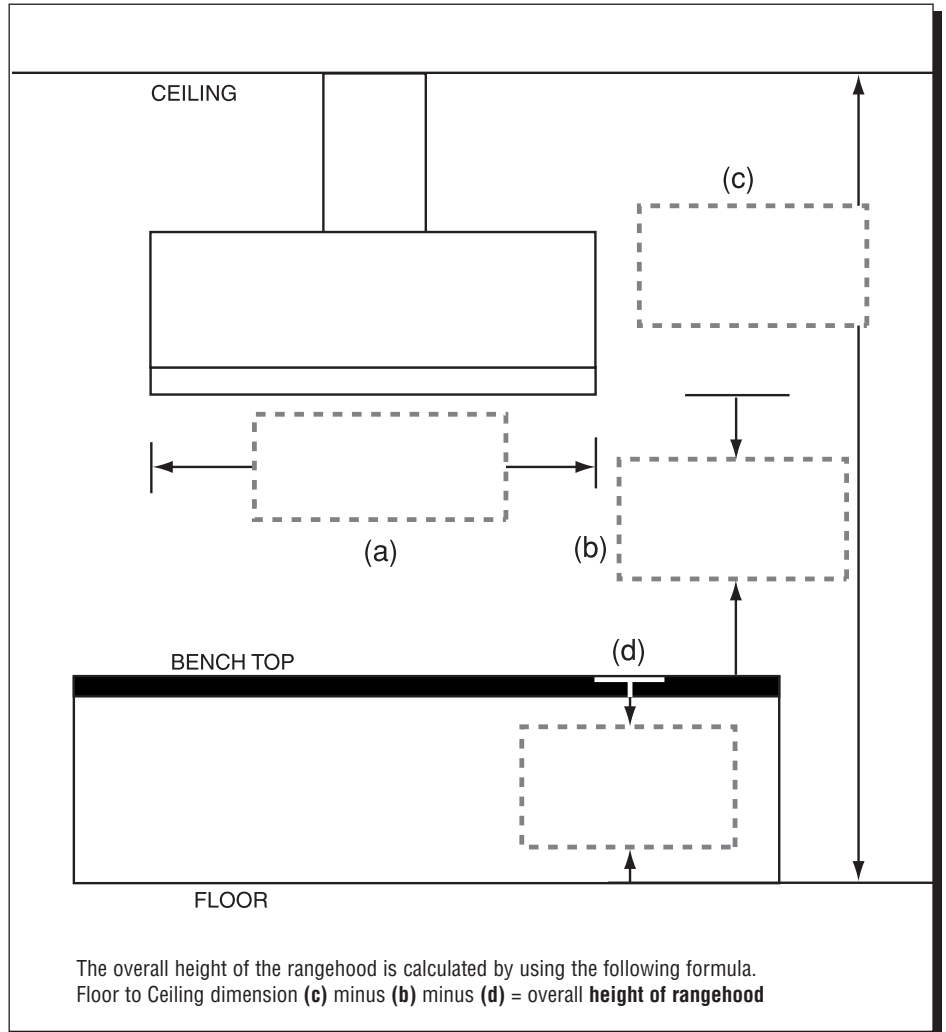
L = 1000-3 l = 450
L = 1200-3 l = 450
L = 1500-3 l = 450

Alterations to any of these dimensions will mean a quotation is necessary.

MODEL REQUIRED	
BSF 1000-3	<input type="checkbox"/>
BSF 1200-3	<input type="checkbox"/>
BSF 1500-3	<input type="checkbox"/>

DUCTING	
Top Ducted	<input type="checkbox"/>
Back Ducted – See reverse	

FINISH	
Stainless Steel	<input type="checkbox"/>
Colour	<input type="checkbox"/>
->Actual Colour	<input type="text"/>
->Powdercoat No.	<input type="text"/>



DATE _____

COMPANY _____

SALESPERSON _____

ORDER No. _____

TYPE OF BARBECUE _____

BRAND OF BARBECUE _____

MEGAJOULE RATING OF BBQ _____

COMMENTS _____

NOTE

The Condor Rangehood is made with the switches on the front as shown. The standard maximum height including the body is 1660mm. This rangehood is made with 3 motors. The Condor is designed for outdoor barbecues. Any variation to the above will mean the hood has to be specially made and will be subject to a quotation.
The order will not be confirmed until this form is completed and returned to your retailer.

FACSIMILE

MELBOURNE (03) 9482 7011 (VIC) SYDNEY (02) 9819 6517 (NSW) BRISBANE (07) 5564 7353 (QLD) CANBERRA (02) 6239 2750 (ACT)

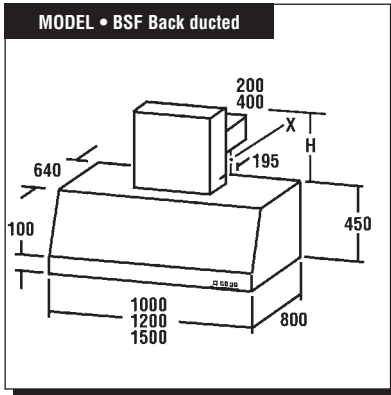
ADELAIDE (08) 8449 6973 (SA) PERTH (08) 9380 9775 (WA) HOBART (03) 6231 6662 (TAS)

QASAIR RESERVES THE RIGHT TO CHANGE SPECIFICATION WITHOUT NOTICE. © IS A REGISTERED TRADE MARK. ABN 51 056 577 765

SPECIFICATION SHEET FOR CONDOR RANGEHOODS

CONDOR RANGE

Back Ducted
(Top Ducted – See reverse)



Model – BSF

T – Top Ducted

- L = 1000-3 l = 450
- L = 1200-3 l = 450
- L = 1500-3 l = 450

Alterations to any of these dimensions will mean a quotation is necessary.

MODEL REQUIRED

BSF 1000-3

BSF 1200-3

BSF 1500-3

DUCTING

Top Ducted – See reverse

Back Ducted

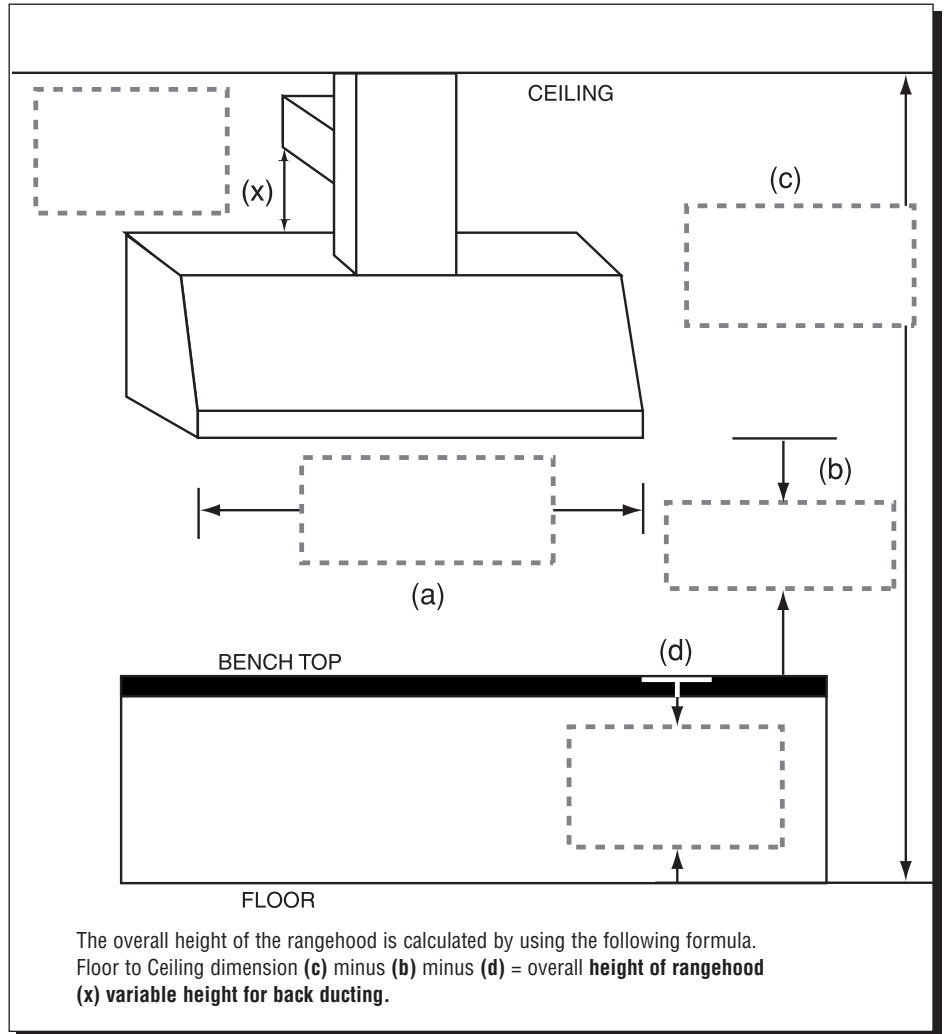
FINISH

Stainless Steel

Colour

→Actual Colour

→Powdercoat No.



DATE _____

COMPANY _____

SALESPERSON _____

ORDER No. _____

TYPE OF BARBECUE _____

BRAND OF BARBECUE _____

MEGAJOULE RATING OF BBQ _____

COMMENTS _____

NOTE

The Condor Rangehood is made with the switches on the front as shown. The standard maximum height including the body is 1660mm. This rangehood is made with 3 motors. The Condor is designed for outdoor barbecues. Any variation to the above will mean the hood has to be specially made and will be subject to a quotation.
The order will not be confirmed until this form is completed and returned to your retailer.

FACSIMILE

MELBOURNE (03) 9482 7011 (VIC) SYDNEY (02) 9819 6517 (NSW) BRISBANE (07) 5564 7353 (QLD) CANBERRA (02) 6239 2750 (ACT)

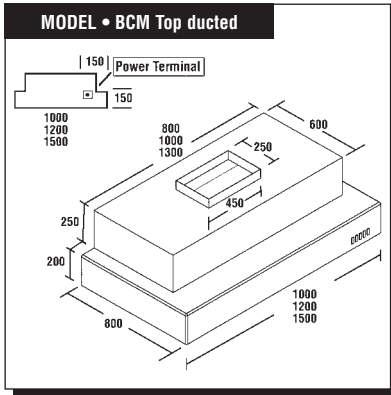
ADELAIDE (08) 8449 6973 (SA) PERTH (08) 9380 9775 (WA) HOBART (03) 6231 6662 (TAS)

GASAIR RESERVES THE RIGHT TO CHANGE SPECIFICATION WITHOUT NOTICE. © IS A REGISTERED TRADE MARK. ABN 51 056 577 765

SPECIFICATION SHEET FOR CONDOR RANGEHOODS

CONDOR RANGE

Top Ducted
(Back Ducted – See reverse)



Model – **BCM**

T – Top Ducted

L = 1000-3 l = 450

L = 1200-3 l = 450

L = 1500-3 l = 450

Alterations to any of these dimensions will mean a quotation is necessary.

MODEL REQUIRED

BCM 1000-3

BCM 1200-3

BCM 1500-3

DUCTING

Top Ducted

Back Ducted – See reverse

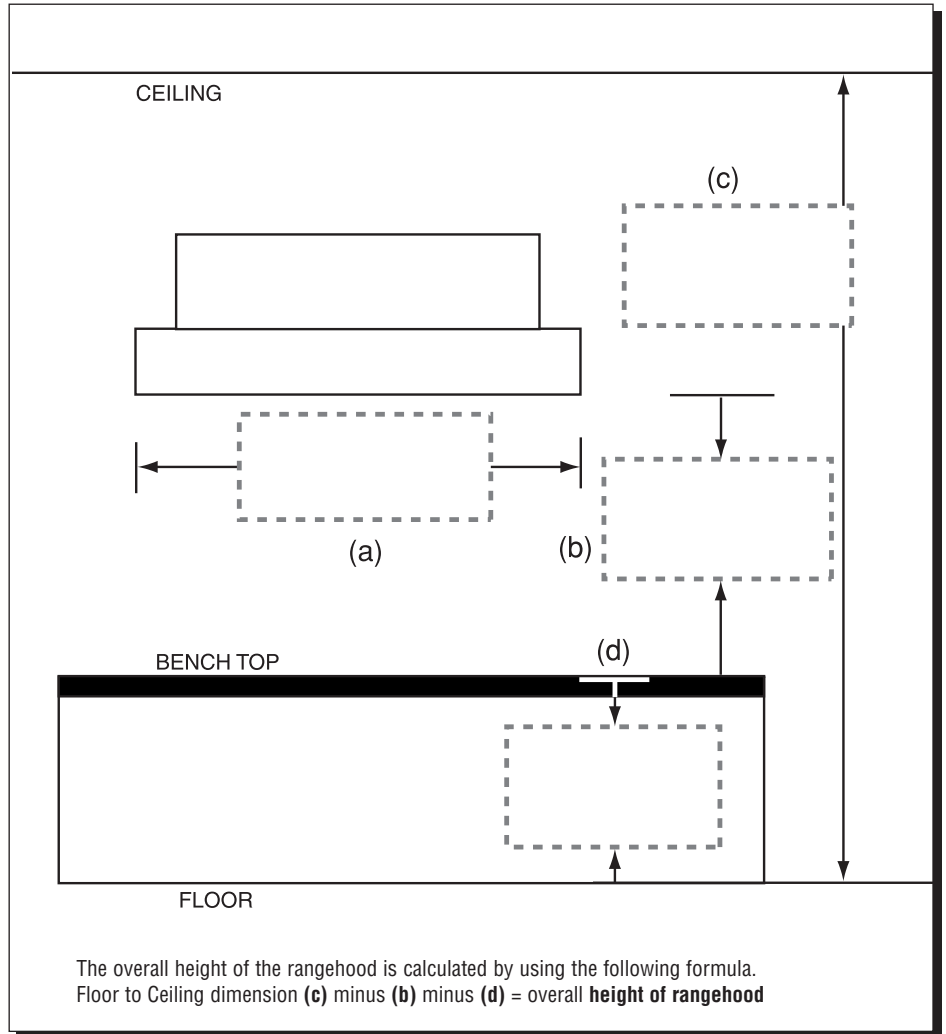
FINISH

Stainless Steel

Colour

→Actual Colour

→Powdercoat No.



DATE _____

COMPANY _____

SALESPERSON _____

ORDER No. _____

TYPE OF BARBECUE _____

BRAND OF BARBECUE _____

MEGAJoule RATING OF BBQ _____

COMMENTS _____

NOTE

The BCM Rangehood is made with the switches on the front as shown. The standard maximum height including the body is 750mm. This rangehood is made with 3 motors. The Condor is designed for outdoor barbecues. Any variation to the above will mean the hood has to be specially made and will be subject to a quotation.
The order will not be confirmed until this form is completed and returned to your retailer.

FACSIMILE

MELBOURNE (03) 9482 7011 (VIC)

SYDNEY (02) 9819 6517 (NSW)
ADELAIDE (08) 8449 6973 (SA)

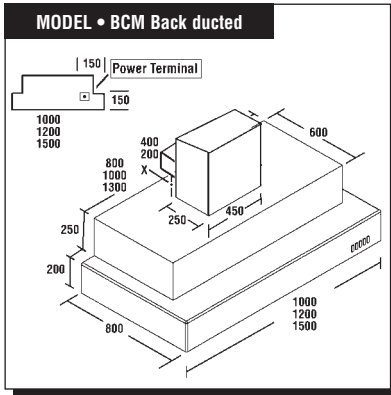
BRISBANE (07) 5564 7353 (QLD)
PERTH (08) 9380 9775 (WA)

CANBERRA (02) 6239 2750 (ACT)
HOBART (03) 6231 6662 (TAS)

SPECIFICATION SHEET FOR CONDOR RANGEHOODS

CONDOR RANGE

Back Ducted
(Top Ducted – See reverse)



Model – BCM

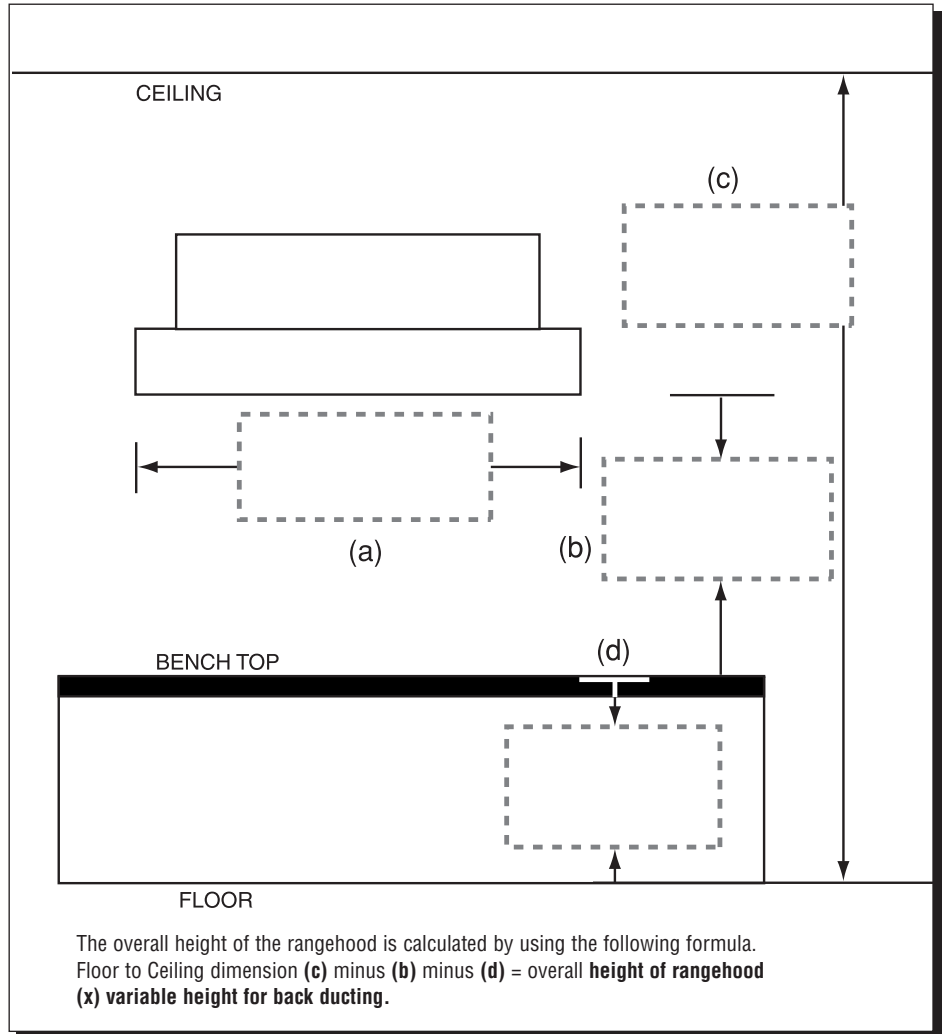
T – Top Ducted
 L = 1000-3 l = 450
 L = 1200-3 l = 450
 L = 1500-3 l = 450

Alterations to any of these dimensions will mean a quotation is necessary.

MODEL REQUIRED	
BCM 1000-3	<input type="checkbox"/>
BCM 1200-3	<input type="checkbox"/>
BCM 1500-3	<input type="checkbox"/>

DUCTING	
Top Ducted – See reverse	<input type="checkbox"/>
Back Ducted	<input type="checkbox"/>

FINISH	
Stainless Steel	<input type="checkbox"/>
Colour	<input type="checkbox"/>
->Actual Colour	<input type="text"/>
->Powdercoat No.	<input type="text"/>



DATE _____

COMPANY _____

SALESPERSON _____

ORDER No. _____

TYPE OF BARBECUE _____

BRAND OF BARBECUE _____

MEGAJOULE RATING OF BBQ _____

COMMENTS _____

NOTE

The BCM Rangehood is made with the switches on the front as shown. This rangehood is made with 3 motors. The Condor is designed for outdoor barbecues. Any variation to the above will mean the hood has to be specially made and will be subject to a quotation.
The order will not be confirmed until this form is completed and returned to your retailer.

FACSIMILE

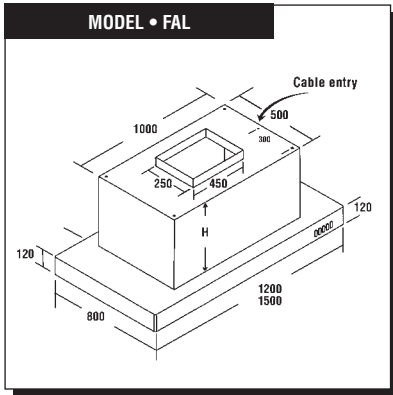
MELBOURNE (03) 9482 7011 (VIC) SYDNEY (02) 9819 6517 (NSW) BRISBANE (07) 5564 7353 (QLD) CANBERRA (02) 6239 2750 (ACT)

ADELAIDE (08) 8449 6973 (SA) PERTH (08) 9380 9775 (WA) HOBART (03) 6231 6662 (TAS)

QASAIR RESERVES THE RIGHT TO CHANGE SPECIFICATION WITHOUT NOTICE. © IS A REGISTERED TRADE MARK. ABN 51 056 577 765

SPECIFICATION SHEET FOR CONDOR RANGEHOODS

CONDOR RANGE



Model – FAL

T – Top Ducted

L = 1200-3 I = 450

L = 1500-3 I = 450

H is variable from 480mm to 1180mm

Alterations to any of these dimensions will mean a quotation is necessary.

MODEL REQUIRED

FAL 1200-3

FAL 1500-3

DUCTING

Top Ducted

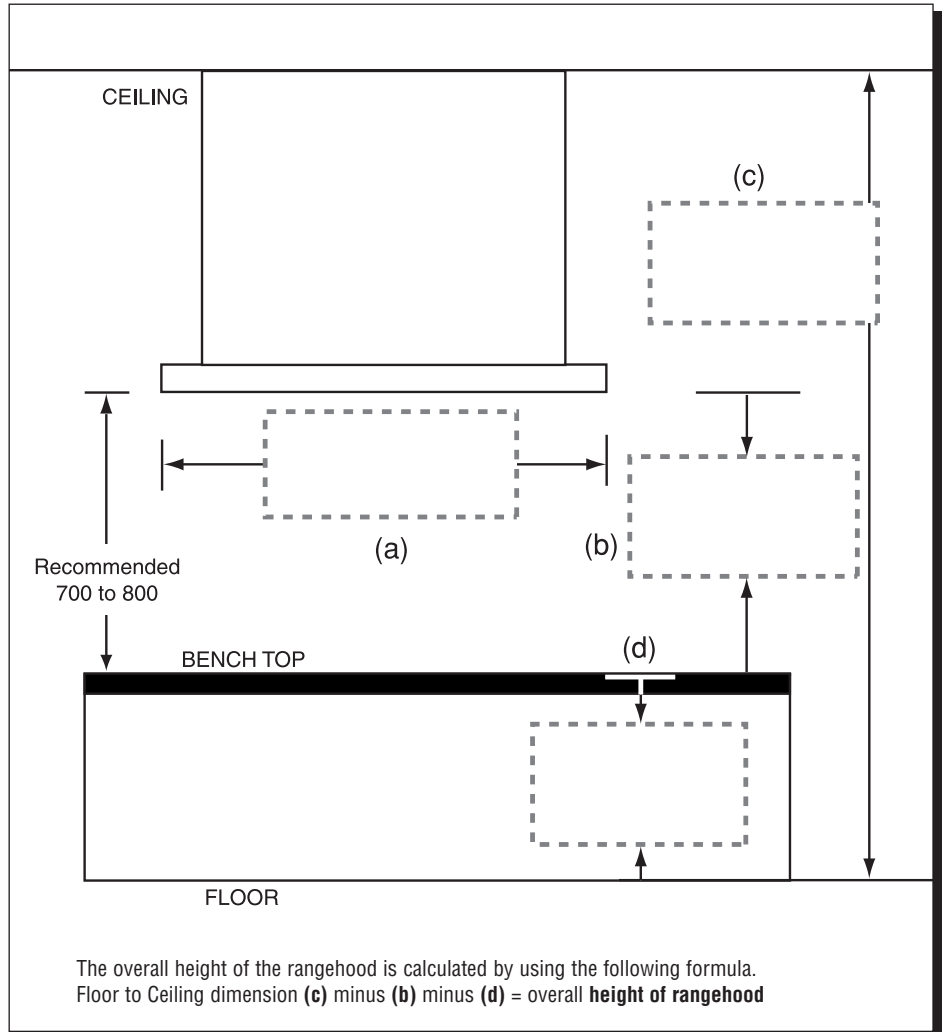
FINISH

Stainless Steel

Colour

→Actual Colour

→Powdercoat No.



DATE _____

COMPANY _____

SALESPERSON _____

ORDER No. _____

TYPE OF BARBECUE _____

BRAND OF BARBECUE _____

MEGAJOULE RATING OF BBQ _____

COMMENTS _____

NOTE

The FAL Rangehood is made with the switches on the front as shown. The standard maximum height including the body is 1300mm. This rangehood is made with 3 motors. The Condor is designed for outdoor barbecues. Any variation to the above will mean the hood has to be specially made and will be subject to a quotation.

The order will not be confirmed until this form is completed and returned to your retailer.

FACSIMILE

MELBOURNE (03) 9482 7011 (VIC)

SYDNEY (02) 9819 6517 (NSW)
 ADELAIDE (08) 8449 6973 (SA)

BRISBANE (07) 5564 7353 (QLD)
 PERTH (08) 9380 9775 (WA)

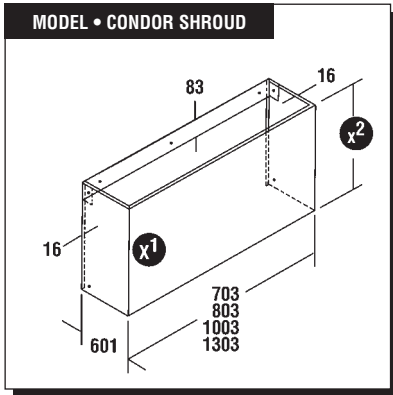
CANBERRA (02) 6239 2750 (ACT)
 HOBART (03) 6231 6662 (TAS)

QASAIR RESERVES THE RIGHT TO CHANGE SPECIFICATION WITHOUT NOTICE. ® IS A REGISTERED TRADE MARK.

ABN 51 056 577 765

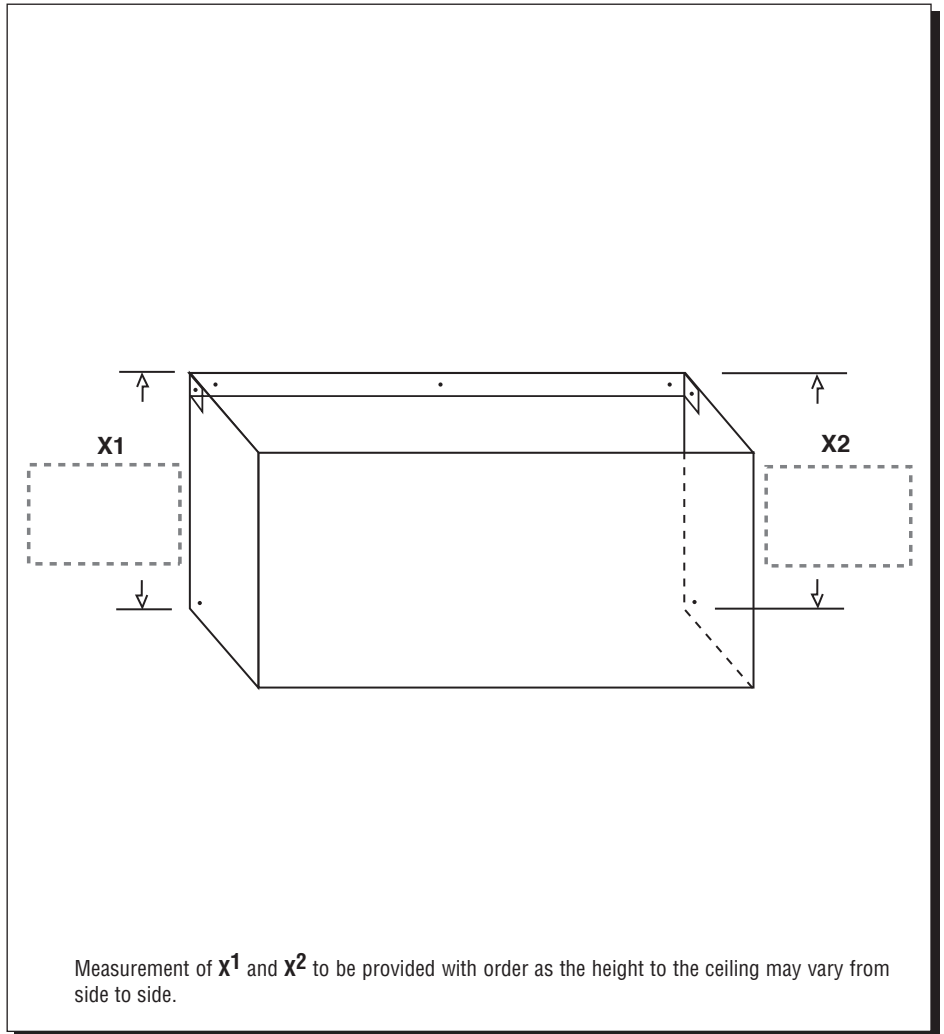
SPECIFICATION SHEET FOR CONDOR RANGEHOODS

CONDOR SHROUD



Model – BCM Shroud

Max Standard Height 1200mm
Min Standard Height 400mm



Measurement of x^1 and x^2 to be provided with order as the height to the ceiling may vary from side to side.

Alterations to any of these dimensions will mean a quotation is necessary.

Shroud to suit:

MODEL REQUIRED	
BCM 1000-3	<input type="checkbox"/>
BCM 1200-3	<input type="checkbox"/>
BCM 1500-3	<input type="checkbox"/>

FINISH	
Stainless Steel	<input type="checkbox"/>
Colour	<input type="checkbox"/>
->Actual Colour	<input type="text"/>
->Powdercoat No.	<input type="text"/>

DATE _____

COMPANY _____

SALESPERSON _____

ORDER No. _____

COMMENTS _____

NOTE

The Shroud is made in stainless steel type 304 brushed, which is the same as the rangehood. There is a bracket supplied to be fitted to the wall. The Shroud is screwed to the bracket at the top and into the motor box at the base.
The order will not be confirmed until this form is completed and returned to your retailer.

FACSIMILE

MELBOURNE (03) 9482 7011 (VIC) SYDNEY (02) 9819 6517 (NSW) ADELAIDE (08) 8449 6973 (SA) BRISBANE (07) 5564 7353 (QLD) PERTH (08) 9380 9775 (WA) CANBERRA (02) 6239 2750 (ACT) HOBART (03) 6231 6662 (TAS)

QASAIR RESERVES THE RIGHT TO CHANGE SPECIFICATION WITHOUT NOTICE. © IS A REGISTERED TRADE MARK.

ABN 51 056 577 765