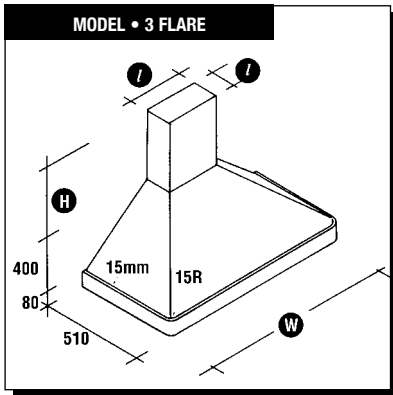


SPECIFICATION SHEET FOR RANGEHOODS

FEDERATION RANGE

November 2008



Model - 3F

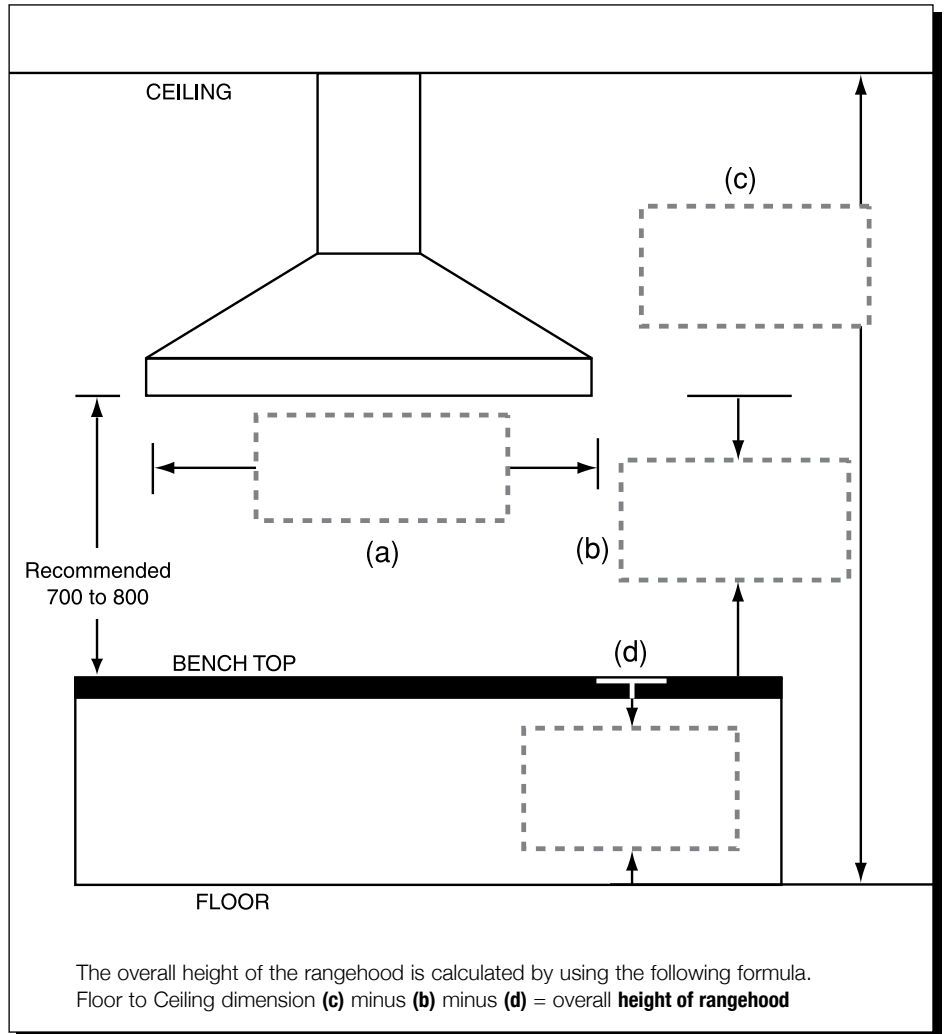
Max Standard Height **H** 1680mm
T – Top Ducted or **B** – Back Ducted
W = 900-2 **L** = 300 x 180
W = 1200-2 **L** = 400 x 180
W = 1200-3 **L** = 450 x 230
W = 1500-3 **L** = 500 x 230
H – Variable

Alterations to any of these dimensions will mean a quotation is necessary.

MODEL REQUIRED	
3F 900-2	<input type="checkbox"/>
3F 1200-2	<input type="checkbox"/>
3F 1200-3	<input type="checkbox"/>
3F 1500-3	<input type="checkbox"/>

DUCTING	
Top Ducted	<input type="checkbox"/>
Back Ducted	<input type="checkbox"/>

FINISH	
Stainless Steel	<input type="checkbox"/>
Colour	<input type="checkbox"/>
→Actual Colour	<input type="text"/>
→Powdercoat No.	<input type="text"/>



DATE _____ ORDER NO. _____

COMPANY _____

CONSULTANT _____

TYPE OF HOTPLATE _____

BRAND OF HOTPLATE _____

DATE REQUIRED _____

DELIVERY ADDRESS _____

COMMENTS _____

NOTE

The 3 Flare Rangehood is made with the switches underneath and has 5 switches. The standard maximum height including body (480) is 1680mm. The rangehood is made with either 2 or 3 motors. Any variation to the above will mean the hood has to be specially made and will be subject to a quotation.

The order will not be confirmed until this form is completed and returned to your retailer.

FACSIMILE

MELBOURNE (03) 9482 7011 (VIC) SYDNEY (03) 9316 9299 (NSW) BRISBANE (07) 3282 9122 (QLD) CANBERRA (02) 6239 2750 (ACT)

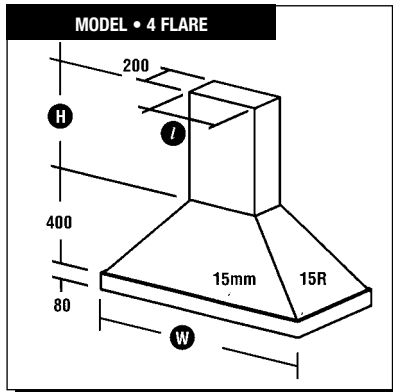
ADELAIDE (08) 8449 6973 (SA) PERTH (08) 9381 6000 (WA) HOBART (03) 6231 6662 (TAS)

QASAIR RESERVES THE RIGHT TO CHANGE SPECIFICATION WITHOUT NOTICE. © IS A REGISTERED TRADE MARK. DARWIN (08) 8947 0419 (NT)

SPECIFICATION SHEET FOR RANGEHOODS

FEDERATION RANGE

November 2008



Model - 4F

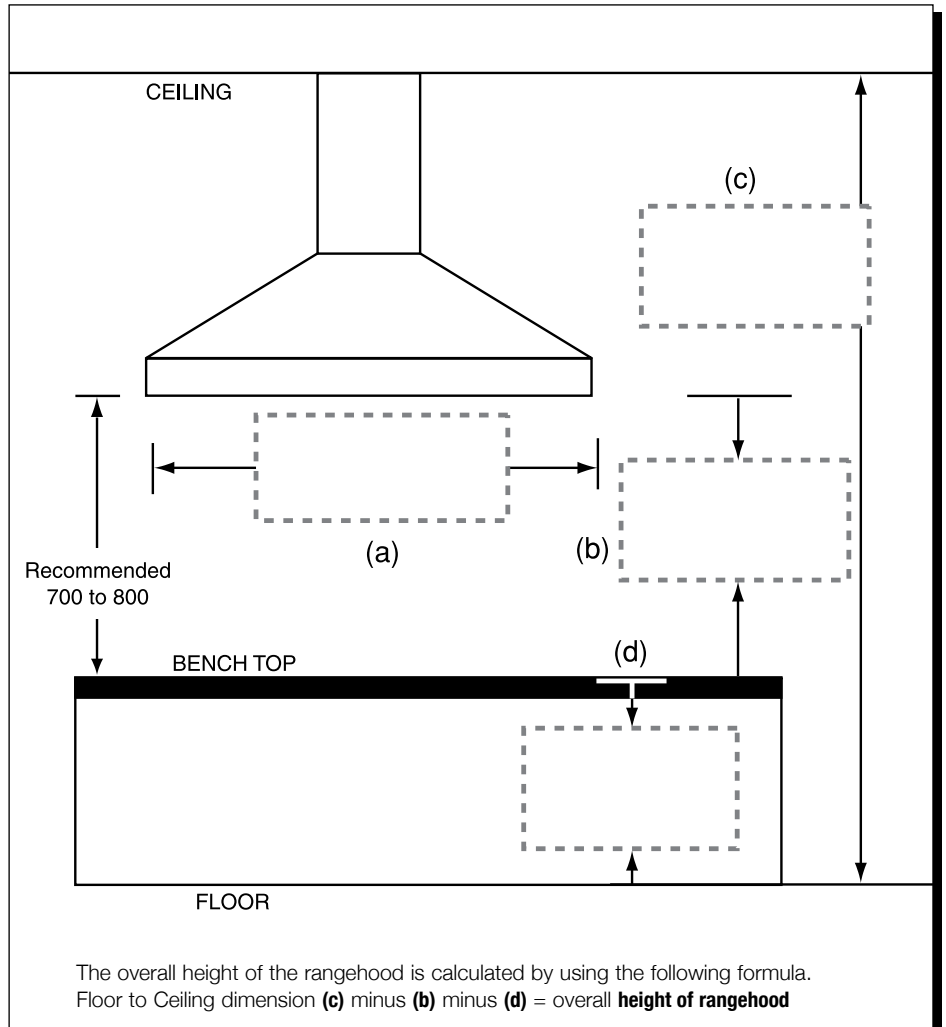
Max Standard Height **H** 1660mm
T - Top Ducted, Island Hood
W = 900-2 **I** = 350
W = 1200-2 **I** = 400
H - Variable

Alterations to any of these dimensions will mean a quotation is necessary.

MODEL REQUIRED	
4F 900-2	<input type="checkbox"/>
4F 1200-2	<input type="checkbox"/>

DUCTING	
Top Ducted ONLY	

FINISH	
Stainless Steel	<input type="checkbox"/>
Colour	<input type="checkbox"/>
->Actual Colour	<input type="text"/>
->Powdercoat No.	<input type="text"/>



DATE _____ ORDER NO. _____

COMPANY _____

CONSULTANT _____

TYPE OF HOTPLATE _____

BRAND OF HOTPLATE _____

DATE REQUIRED _____

DELIVERY ADDRESS _____

COMMENTS _____

NOTE

The 4 Flare Rangehood is made with the switches underneath and has 5 switches. The standard maximum height including the body (480) is 1660mm. This rangehood is made with 2 motors. Any variation to the above will mean the hood has to be specially made and will be subject to a quotation.

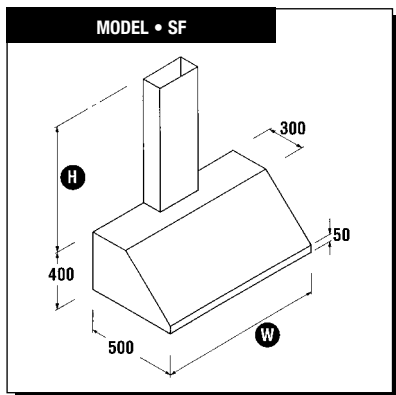
The order will not be confirmed until this form is completed and returned to your retailer.

FACSIMILE	SYDNEY (03) 9316 9299 (NSW)	BRISBANE (07) 3282 9122 (QLD)	CANBERRA (02) 6239 2750 (ACT)
MELBOURNE (03) 9482 7011 (VIC)	ADELAIDE (08) 8449 6973 (SA)	PERTH (08) 9381 6000 (WA)	HOBART (03) 6231 6662 (TAS)
QASAIR RESERVES THE RIGHT TO CHANGE SPECIFICATION WITHOUT NOTICE. ® IS A REGISTERED TRADE MARK.			DARWIN (08) 8947 0419 (NT)

SPECIFICATION SHEET FOR RANGEHOODS

FEDERATION RANGE

November 2008



Model - SF

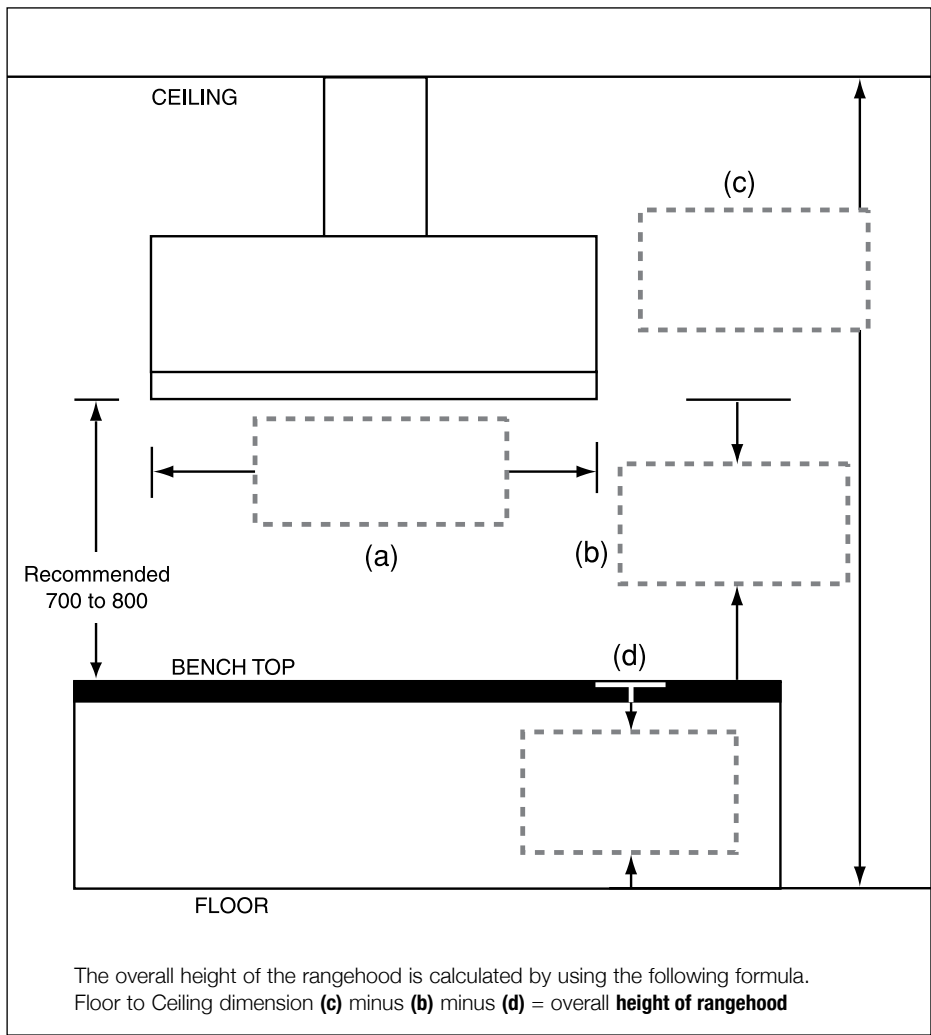
Max Standard Height **H** 1900mm
T – Top Ducted or **B** – Back Ducted
W = 900-1
W = 900-2
W = 1200-2
H – Variable
DLE – Single motor
DLE-2 – Twin motor
Flue height = 600, 900, 1200 or 1500mm

Alterations to any of these dimensions will mean a quotation is necessary.

MODEL REQUIRED	
SF 900-1	<input type="checkbox"/>
SF 900-2	<input type="checkbox"/>
SF 1200-2	<input type="checkbox"/>

DUCTING	
Top Ducted	<input type="checkbox"/>
Back Ducted	<input type="checkbox"/>

FINISH	
Stainless Steel	<input type="checkbox"/>
Colour	<input type="checkbox"/>
→Actual Colour	<input type="text"/>
→Powdercoat No.	<input type="text"/>



DATE _____ ORDER NO. _____

COMPANY _____

CONSULTANT _____

TYPE OF HOTPLATE _____

BRAND OF HOTPLATE _____

DATE REQUIRED _____

DELIVERY ADDRESS _____

COMMENTS _____

NOTE

The SF Rangehood is made with the switches underneath and the standard maximum height including the body (400) is 1900mm. Single motor rangehood has 3 switches, twin motor rangehood has 5 switches. This rangehood is made with either 1 or 2 motors. The flue is a DLE for a single motor and DLE-2 for a twin motor rangehood. Any variation to the above will mean the hood has to be specially made and will be subject to a quotation.

The order will not be confirmed until this form is completed and returned to your retailer.

FACSIMILE

MELBOURNE (03) 9482 7011 (VIC) SYDNEY (03) 9316 9299 (NSW) BRISBANE (07) 3282 9122 (QLD) CANBERRA (02) 6239 2750 (ACT)

ADELAIDE (08) 8449 6973 (SA) PERTH (08) 9381 6000 (WA) HOBART (03) 6231 6662 (TAS)

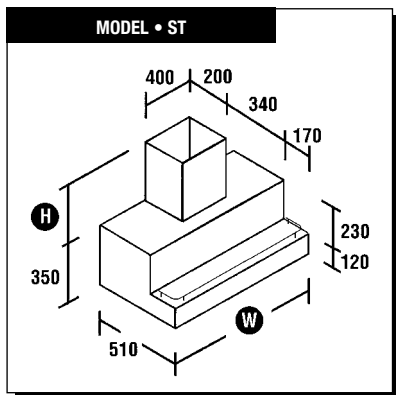
DARWIN (08) 8947 0419 (NT)

QASAIR RESERVES THE RIGHT TO CHANGE SPECIFICATION WITHOUT NOTICE. ® IS A REGISTERED TRADE MARK.

SPECIFICATION SHEET FOR RANGEHOODS

FEDERATION RANGE

November 2008



Model – **ST**

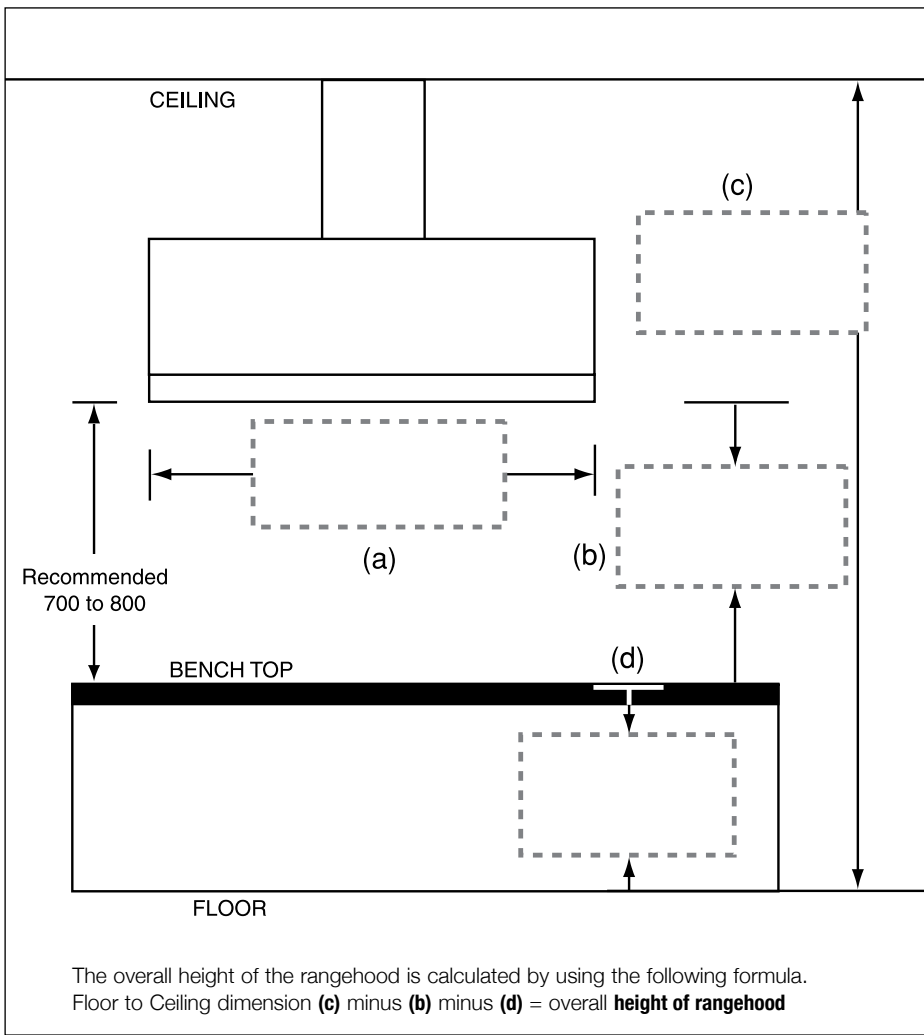
Max Standard Height **H** 1530mm
T – Top Ducted or **B** – Back Ducted
W = 900-1
W = 900-2
W = 1200-2
H – Variable

Alterations to any of these dimensions will mean a quotation is necessary.

MODEL REQUIRED	
ST 900-1	<input type="checkbox"/>
ST 900-2	<input type="checkbox"/>
ST 1200-2	<input type="checkbox"/>

DUCTING	
Top Ducted	<input type="checkbox"/>
Back Ducted	<input type="checkbox"/>

FINISH	
Stainless Steel	<input type="checkbox"/>
Colour	<input type="checkbox"/>
→Actual Colour	<input type="text"/>
→Powdercoat No.	<input type="text"/>



DATE _____ ORDER NO. _____

COMPANY _____

CONSULTANT _____

TYPE OF HOTPLATE _____

BRAND OF HOTPLATE _____

DATE REQUIRED _____

DELIVERY ADDRESS _____

COMMENTS _____

NOTE

The ST Rangehood is made with the switches underneath. The standard maximum height including the body (350) is 1530mm. Single motor rangehood has 3 switches, twin motor rangehood has 5 switches. This rangehood is made with either 1 or 2 motors. Any variation to the above will mean the hood has to be specially made and will be subject to a quotation.

The order will not be confirmed until this form is completed and returned to your retailer.

FACSIMILE

MELBOURNE (03) 9482 7011 (VIC) SYDNEY (03) 9316 9299 (NSW) BRISBANE (07) 3282 9122 (QLD) CANBERRA (02) 6239 2750 (ACT)

ADELAIDE (08) 8449 6973 (SA) PERTH (08) 9381 6000 (WA) HOBART (03) 6231 6662 (TAS)

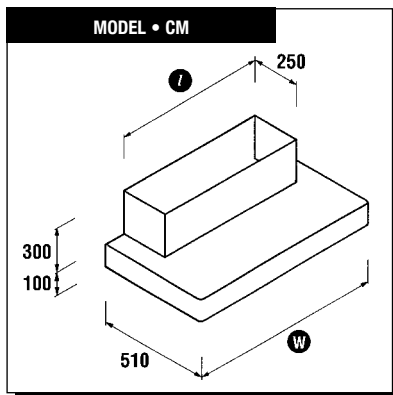
DARWIN (08) 8947 0419 (NT)

QASAIR RESERVES THE RIGHT TO CHANGE SPECIFICATION WITHOUT NOTICE. © IS A REGISTERED TRADE MARK.

SPECIFICATION SHEET FOR RANGEHOODS

FEDERATION RANGE

November 2008



Model - CM

Max Standard Height 400mm

T - Top Ducted or B - Back Ducted

W = 600-1 l = 400

W = 900-1 l = 700

W = 900-2 l = 700

W = 1000-2 l = 800

W = 1200-2 l = 1000

Alterations to any of these dimensions will mean a quotation is necessary.

MODEL REQUIRED

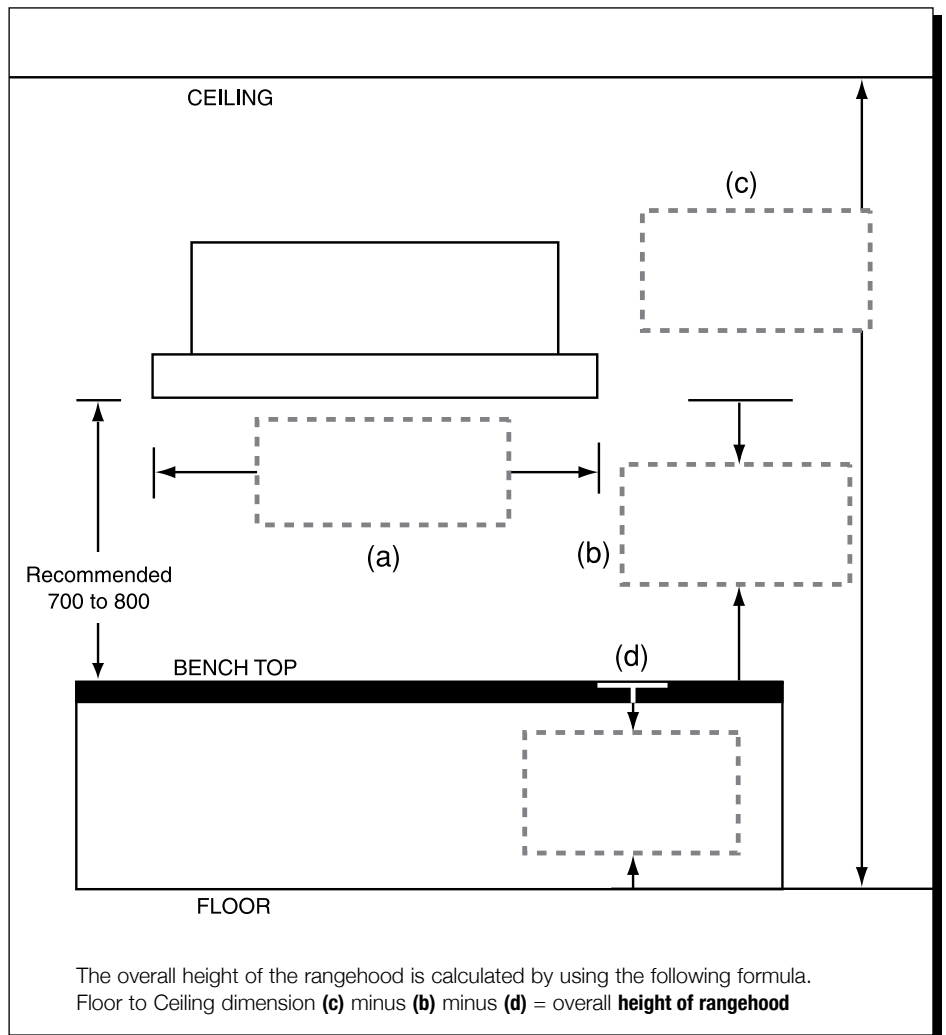
- CM 600-1
- CM 900-1
- CM 900-2
- CM 1000-2
- CM 1200-2

DUCTING

- Top Ducted
- Back Ducted

FINISH

- Stainless Steel
- Colour
- >Actual Colour
- >Powdercoat No.



DATE _____ ORDER NO. _____

COMPANY _____

CONSULTANT _____

TYPE OF HOTPLATE _____

BRAND OF HOTPLATE _____

DATE REQUIRED _____

DELIVERY ADDRESS _____

COMMENTS _____

NOTE

The CM Rangehood is made with the switches underneath. The standard maximum height of the rangehood is 400mm. Single motor rangehood has 3 switches, twin motor rangehood has 5 switches. This rangehood is made with either 1 or 2 motors. Any variation to the above will mean the hood has to be specially made and will be subject to a quotation. **The order will not be confirmed until this form is completed and returned to your retailer.**

FACSIMILE

MELBOURNE (03) 9482 7011 (VIC)

SYDNEY (03) 9316 9299 (NSW)

ADELAIDE (08) 8449 6973 (SA)

BRISBANE (07) 3282 9122 (QLD)

PERTH (08) 9381 6000 (WA)

CANBERRA (02) 6239 2750 (ACT)

HOBART (03) 6231 6662 (TAS)

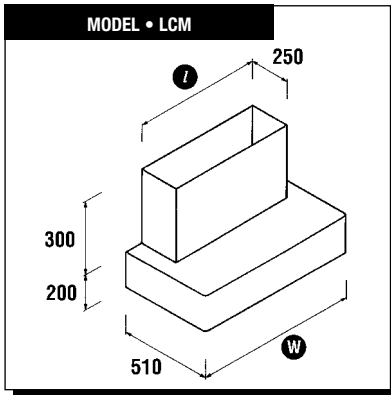
DARWIN (08) 8947 0419 (NT)

QASAIR RESERVES THE RIGHT TO CHANGE SPECIFICATION WITHOUT NOTICE. ® IS A REGISTERED TRADE MARK.

SPECIFICATION SHEET FOR RANGEHOODS

FEDERATION RANGE

November 2008



Model – LCM

Max Standard Height 500mm

T – Top Ducted or **B** – Back Ducted

W = 900-1 **l** = 700

W = 900-2 **l** = 700

W = 1000-2 **l** = 800

W = 1200-2 **l** = 1000

W = 1500-2 **l** = 1300

W = 1500-3 **l** = 1300

W = 1800-3 **l** = 1300

Alterations to any of these dimensions will mean a quotation is necessary.

MODEL REQUIRED

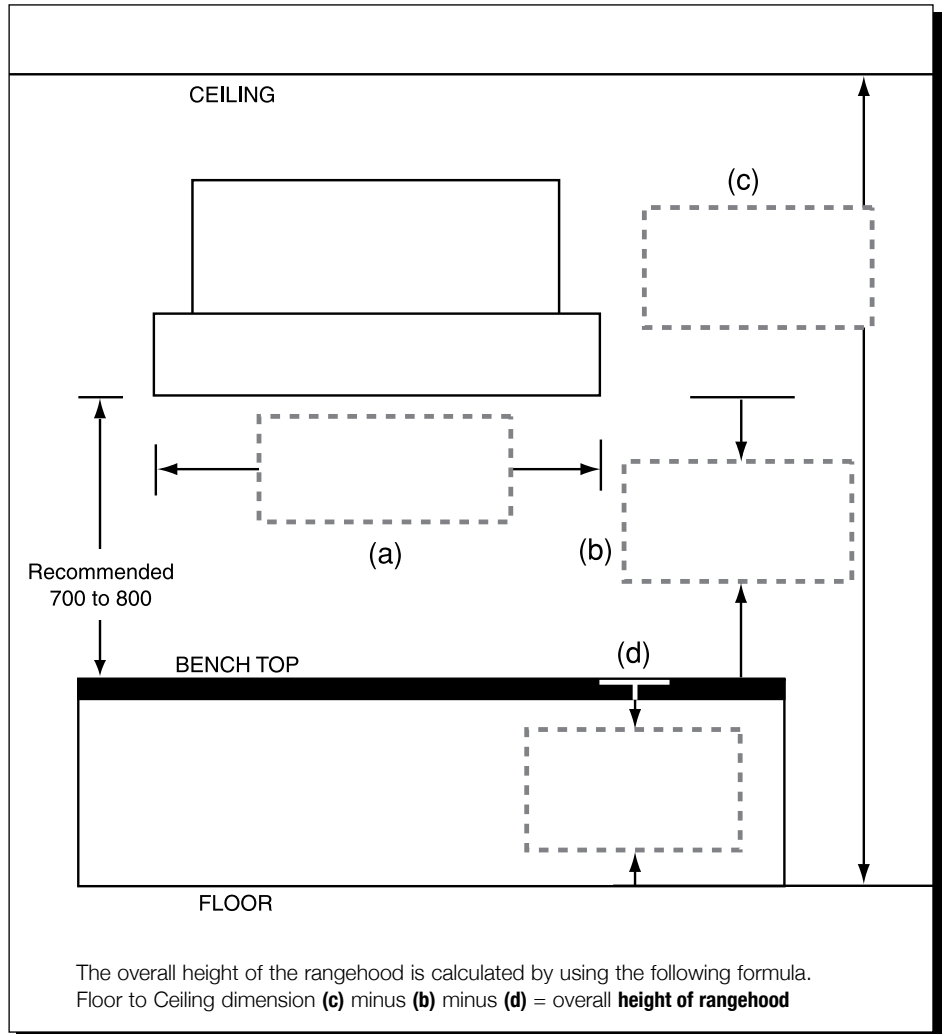
- LCM 900-1
- LCM 900-2
- LCM 1000-2
- LCM 1200-2
- LCM 1500-2
- LCM 1500-3
- LCM 1800-3

DUCTING

- Top Ducted
- Back Ducted

FINISH

- Stainless Steel
- Colour
- >Actual Colour
- >Powdercoat No.



DATE _____ ORDER NO. _____

COMPANY _____

CONSULTANT _____

TYPE OF HOTPLATE _____

BRAND OF HOTPLATE _____

DATE REQUIRED _____

DELIVERY ADDRESS _____

COMMENTS _____

NOTE

The LCM Rangehood is made with the switches underneath and the standard maximum height is 500mm. Single motor rangehood has 3 switches, twin & triple motor rangehood has 5 switches. The rangehood is available with 1, 2 or 3 motors. Any variation to the above will mean the hood has to be specially made and will be subject to a quotation. **The order will not be confirmed until this form is completed and returned to your retailer.**

FACSIMILE

MELBOURNE (03) 9482 7011 (VIC)

SYDNEY (03) 9316 9299 (NSW)

ADELAIDE (08) 8449 6973 (SA)

BRISBANE (07) 3282 9122 (QLD)

PERTH (08) 9381 6000 (WA)

CANBERRA (02) 6239 2750 (ACT)

HOBART (03) 6231 6662 (TAS)

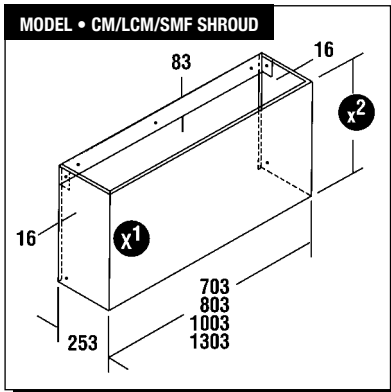
DARWIN (08) 8947 0419 (NT)

QASAIR RESERVES THE RIGHT TO CHANGE SPECIFICATION WITHOUT NOTICE. ® IS A REGISTERED TRADE MARK.

SPECIFICATION SHEET FOR RANGEHOODS

CM/LCM/SMF SHROUD

November 2008



Model – **CM/LCM/SMF SHROUD**

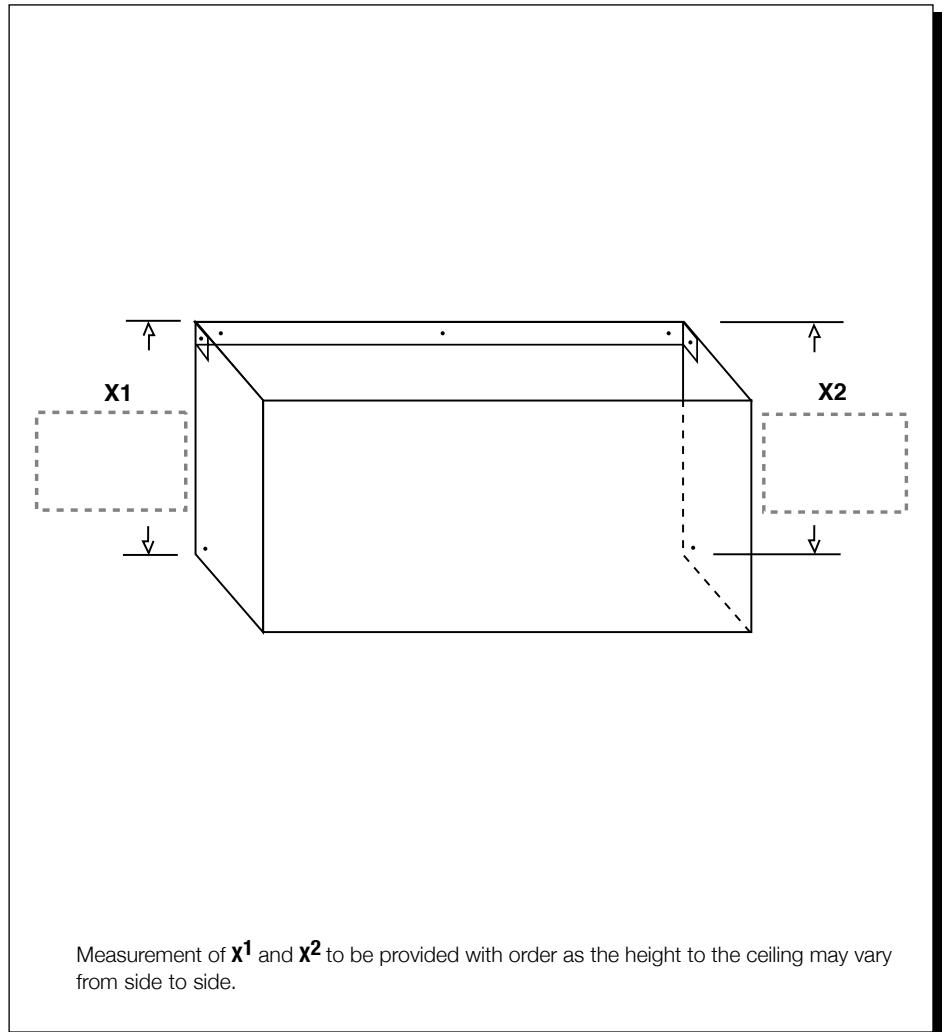
Max Standard Height 1200mm
Min stand height 400mm

Alterations to any of these dimensions will mean a quotation is necessary.

Shroud to suit:

MODEL REQUIRED	
CM 600	<input type="checkbox"/>
CM/LCM/SMF 900	<input type="checkbox"/>
CM/LCM/SMF 1000	<input type="checkbox"/>
CM/LCM/SMF 1200	<input type="checkbox"/>
LCM 1500/1800	<input type="checkbox"/>

FINISH	
Stainless Steel	<input type="checkbox"/>
Colour	<input type="checkbox"/>
→Actual Colour	<input type="text"/>
→Powdercoat No.	<input type="text"/>



DATE _____ ORDER NO. _____

COMPANY _____

CONSULTANT _____

TYPE OF HOTPLATE _____

BRAND OF HOTPLATE _____

DATE REQUIRED _____

DELIVERY ADDRESS _____

COMMENTS _____

NOTE

The Shroud is made in stainless steel type 304 brushed, which is the same as the rangehood. There is a bracket supplied to be fitted to the wall. The Shroud is screwed to the bracket at the top and into the motor box at the base.

The order will not be confirmed until this form is completed and returned to your retailer.

FACSIMILE	SYDNEY (03) 9316 9299 (NSW)	BRISBANE (07) 3282 9122 (QLD)	CANBERRA (02) 6239 2750 (ACT)
MELBOURNE (03) 9482 7011 (VIC)	ADELAIDE (08) 8449 6973 (SA)	PERTH (08) 9381 6000 (WA)	HOBART (03) 6231 6662 (TAS)
QASAIR RESERVES THE RIGHT TO CHANGE SPECIFICATION WITHOUT NOTICE. © IS A REGISTERED TRADE MARK.			DARWIN (08) 8947 0419 (NT)