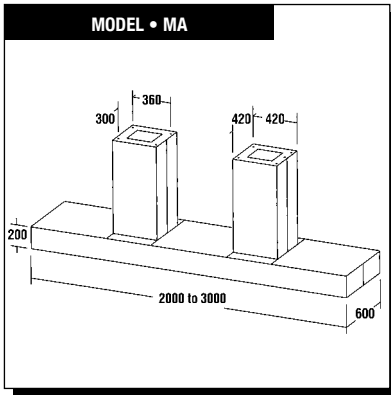


SPECIFICATION SHEET FOR RANGEHOODS

GALLERY 2009 – MADDISON

November 2008



Model – **MA**

Max Standard Height **H** 1660mm
T – Top Ducted or **B** – Back Ducted

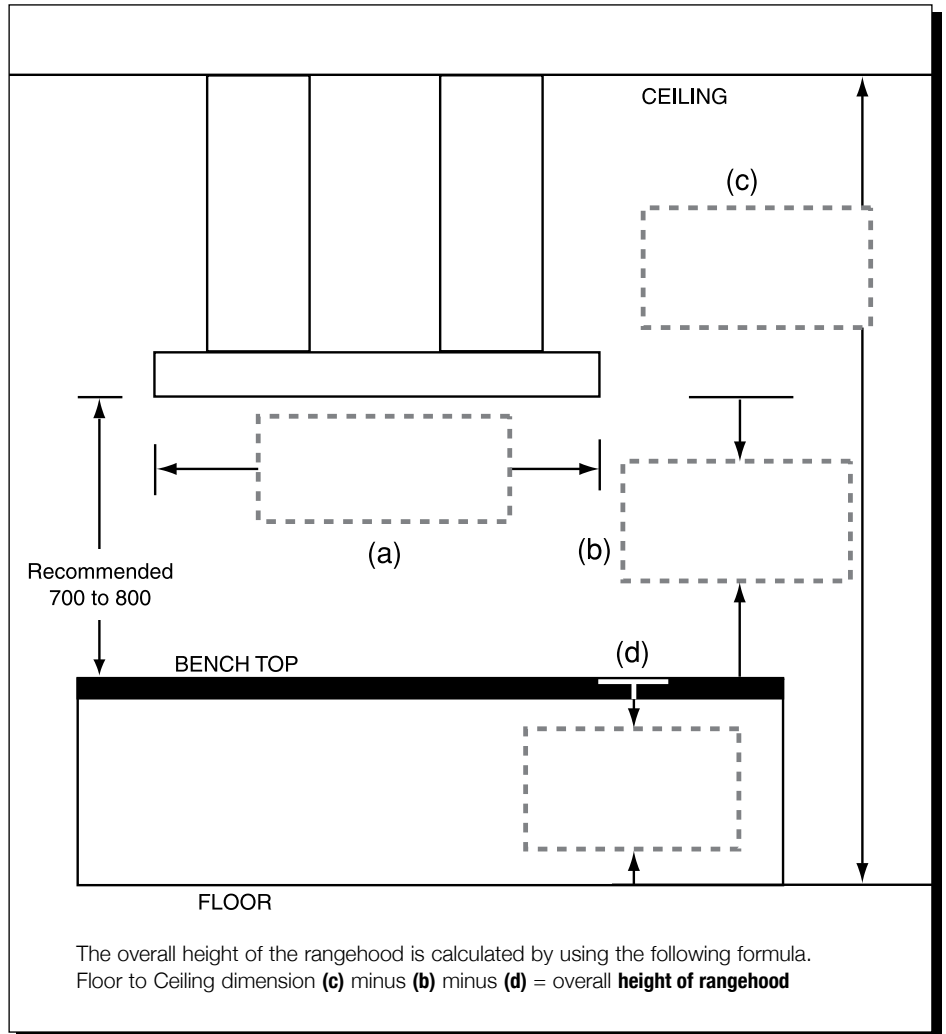
* Specify between 2000mm to 3000mm wide

Alterations to any of these dimensions will mean a quotation is necessary.

MODEL REQUIRED	
MA-2	<input type="checkbox"/>

DUCTING	
Island Hood	<input type="checkbox"/>

FINISH	
Stainless Steel	<input type="checkbox"/>



DATE _____ ORDER NO. _____

COMPANY _____

CONSULTANT _____

TYPE OF HOTPLATE _____

BRAND OF HOTPLATE _____

DATE REQUIRED _____

DELIVERY ADDRESS _____

COMMENTS _____

NOTE

The MA Rangehood is made with the switches underneath and the standard maximum height including the Fascia (200) is 1660mm. The rangehood will be made with four motor and will have 5 switches. Any variation to the above will mean the hood has to be specially made and will be subject to a quotation. **The order will not be confirmed until this form is completed and returned to your retailer.**

FACSIMILE

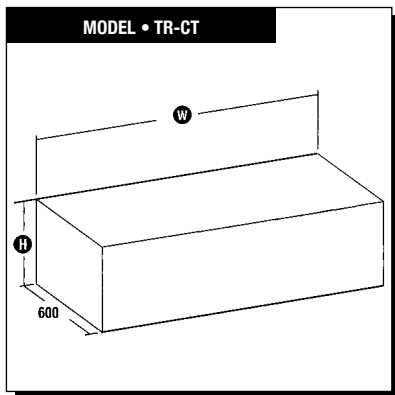
MELBOURNE (03) 9482 7011 (VIC) SYDNEY (03) 9316 9299 (NSW) ADELAIDE (08) 8449 6973 (SA) BRISBANE (07) 3282 9122 (QLD) PERTH (08) 9381 6000 (WA) CANBERRA (02) 6239 2750 (ACT) HOBART (03) 6231 6662 (TAS) DARWIN (08) 8947 0419 (NT)

QASAIR RESERVES THE RIGHT TO CHANGE SPECIFICATION WITHOUT NOTICE. © IS A REGISTERED TRADE MARK.

SPECIFICATION SHEET FOR RANGEHOODS

GALLERY 2009 – THERMIDOR

November 2008



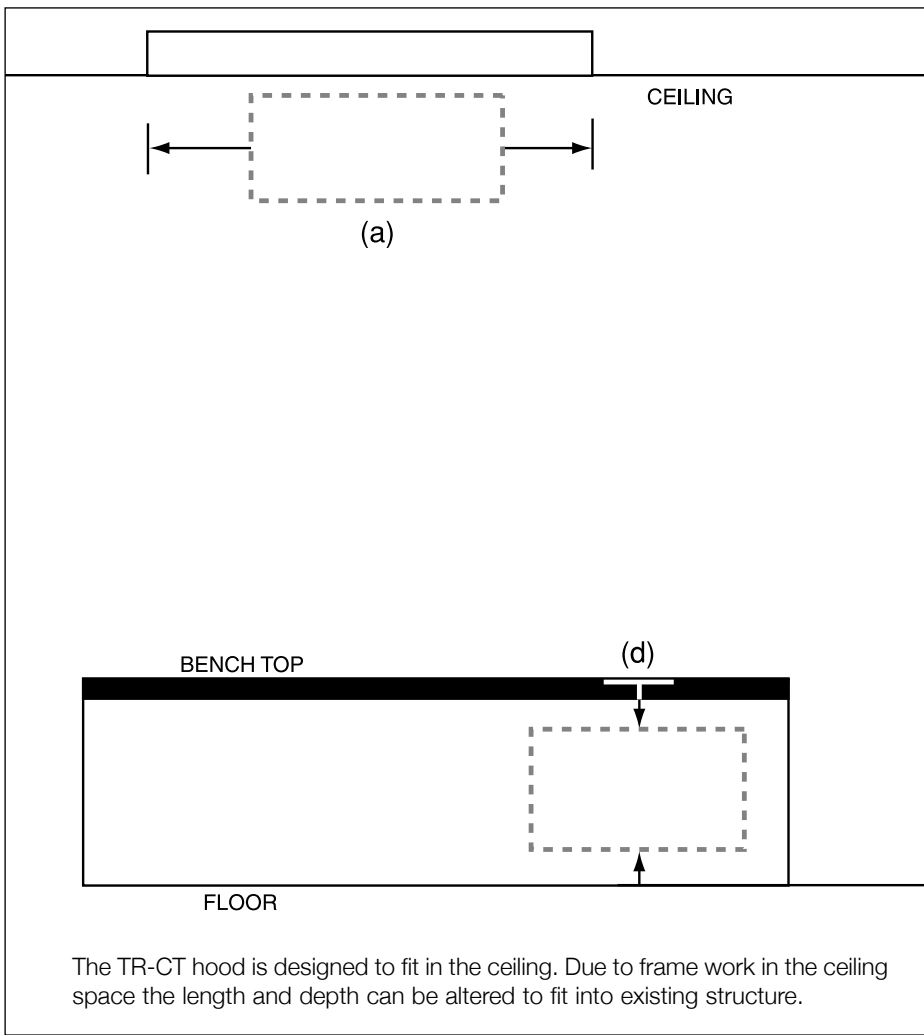
Model – **TR-CT**

Min Standard Height **H** 350mm
T – Top Ducted or **B** – Back Ducted
W = 1000
W = 1200
W = 1500

MODEL REQUIRED	
TR-CT 1000-3	<input type="checkbox"/>
TR-CT 1200-3	<input type="checkbox"/>
TR-CT 1500-3	<input type="checkbox"/>

DUCTING	
Top Ducted	<input type="checkbox"/>
Back Ducted	<input type="checkbox"/>

FINISH	
Stainless Steel	<input type="checkbox"/>



DATE _____ ORDER NO. _____

COMPANY _____

CONSULTANT _____

TYPE OF HOTPLATE _____

BRAND OF HOTPLATE _____

DATE REQUIRED _____

DELIVERY ADDRESS _____

COMMENTS _____

NOTE

The TR-CT Rangehood is made with remote switches and the standard minimum height 350mm. This rangehood is made with 3 motors. **The order will not be confirmed until this form is completed and returned to your retailer.** The hood has no lights.

FACSIMILE

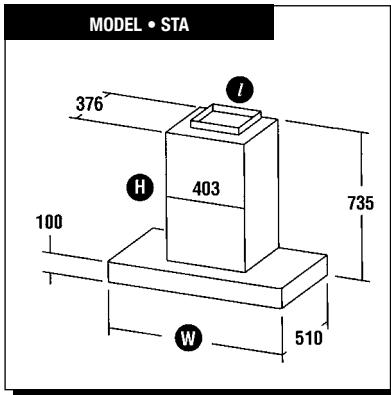
MELBOURNE (03) 9482 7011 (VIC) SYDNEY (03) 9316 9299 (NSW) ADELAIDE (08) 8449 6973 (SA) BRISBANE (07) 3282 9122 (QLD) PERTH (08) 9381 6000 (WA) CANBERRA (02) 6239 2750 (ACT) HOBART (03) 6231 6662 (TAS) DARWIN (08) 8947 0419 (NT)

QASAIR RESERVES THE RIGHT TO CHANGE SPECIFICATION WITHOUT NOTICE. ® IS A REGISTERED TRADE MARK.

SPECIFICATION SHEET FOR RANGEOODS

GALLERY 2009 – STATESMAN

November 2008



Model – **STA**

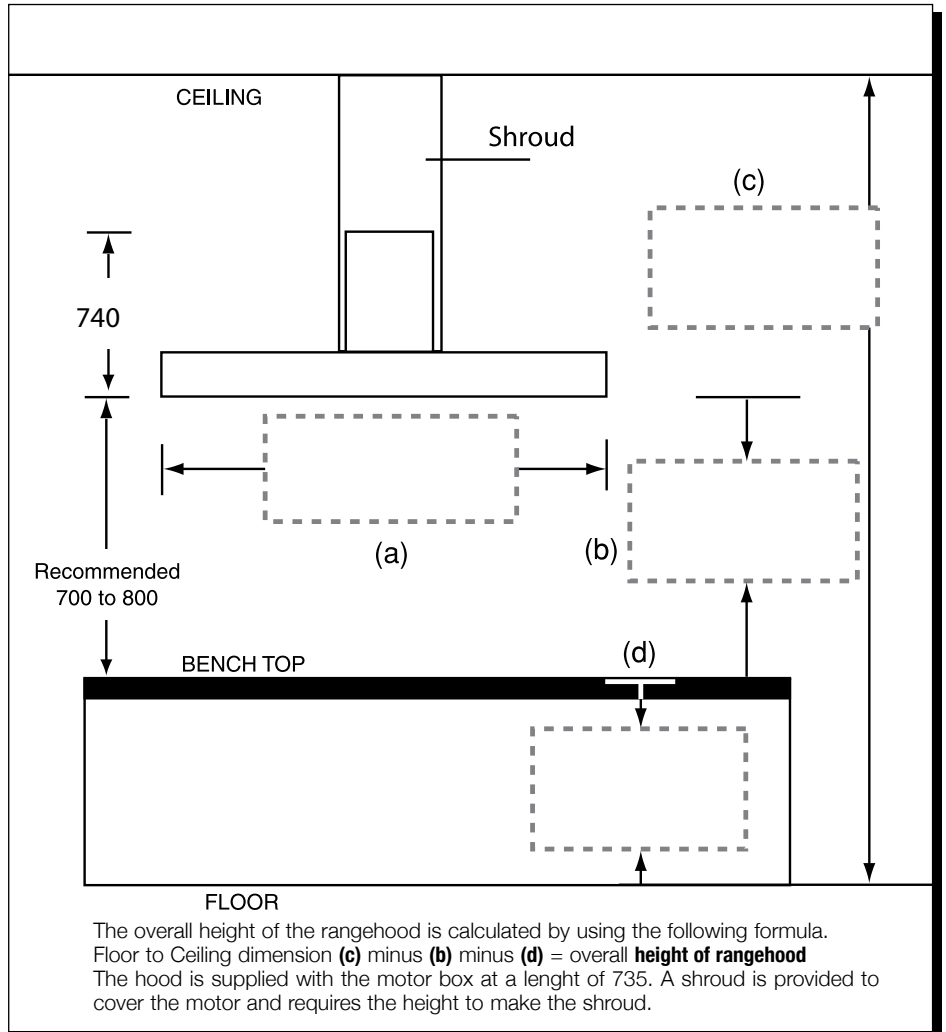
Min Height **H** 740mm
 Max Standard Height **H** 1300mm
T – Top Ducted or **B** – Back Ducted
W = 900 **L** = 300
W = 1200 **L** = 400

Alterations to any of these dimensions will mean a quotation is necessary.

MODEL REQUIRED	
STA 900-2	<input type="checkbox"/>
STA 900-2R	<input type="checkbox"/>
STA 1200-2	<input type="checkbox"/>
STA 1200-2R	<input type="checkbox"/>

DUCTING	
Top Ducted	<input type="checkbox"/>
Back Ducted	<input type="checkbox"/>

FINISH	
Stainless Steel	<input type="checkbox"/>



DATE _____ ORDER NO. _____

COMPANY _____

CONSULTANT _____

TYPE OF HOTPLATE _____

BRAND OF HOTPLATE _____

DATE REQUIRED _____

DELIVERY ADDRESS _____

COMMENTS _____

NOTE

The STA Rangehood is made with the switches underneath and the standard maximum height including the fascia (100) is 1300mm. Twin motor rangehood has 5 switches. This rangehood is made with 2 motors. Any variation to the above will mean the hood has to be specially made and will be subject to a quotation. **The order will not be confirmed until this form is completed and returned to your retailer.**

FACSIMILE

MELBOURNE (03) 9482 7011 (VIC) SYDNEY (03) 9316 9299 (NSW) ADELAIDE (08) 8449 6973 (SA)

BRISBANE (07) 3282 9122 (QLD) PERTH (08) 9381 6000 (WA)

CANBERRA (02) 6239 2750 (ACT) HOBART (03) 6231 6662 (TAS) DARWIN (08) 8947 0419 (NT)

QASAIR RESERVES THE RIGHT TO CHANGE SPECIFICATION WITHOUT NOTICE. © IS A REGISTERED TRADE MARK.