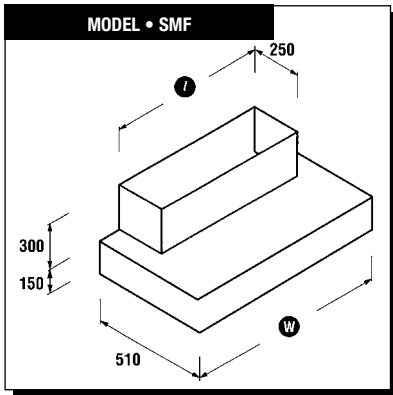


SPECIFICATION SHEET FOR RANGEHOODS

MARQUIS RANGE

November 2008



Model – **SMF**

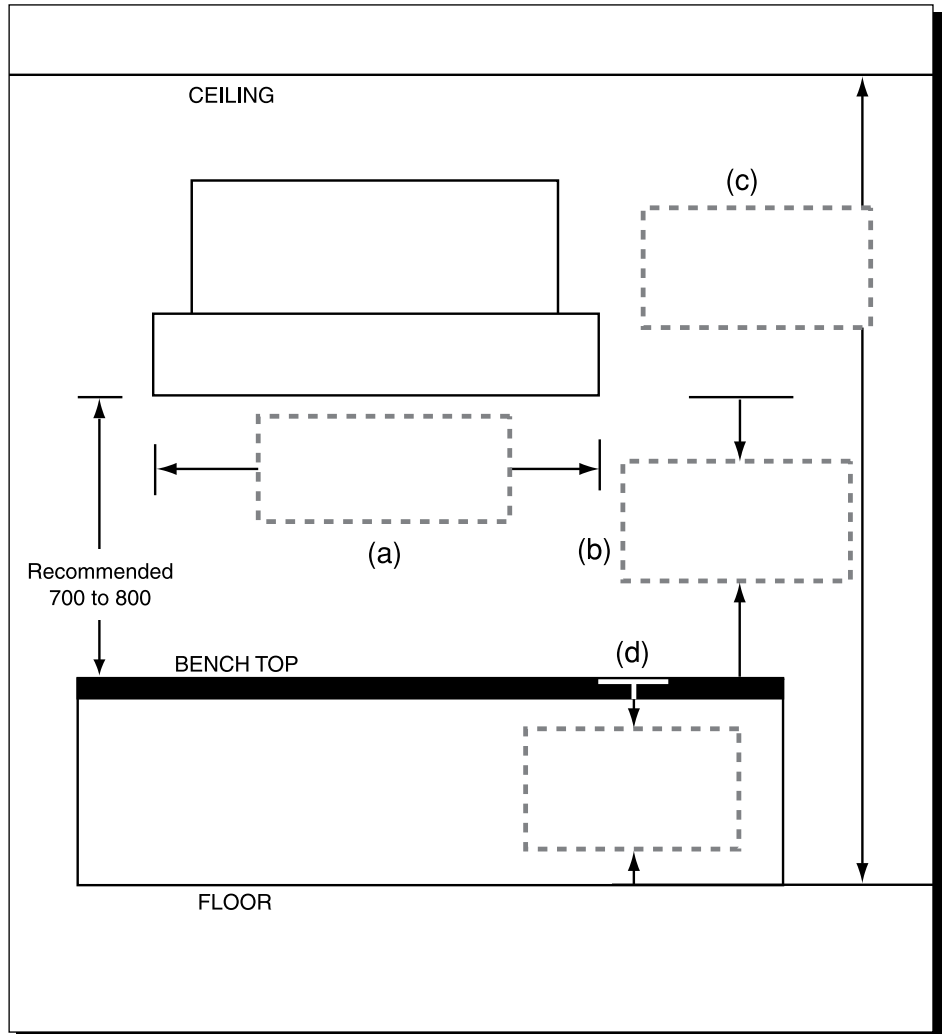
- Max Standard Height **H** 450mm
T – Top Ducted or **B** – Back Ducted
W = 900-1 **L** = 700
W = 900-2 **L** = 700
W = 1000-2 **L** = 800
W = 1200-2 **L** = 1000

Alterations to any of these dimensions will mean a quotation is necessary.

MODEL REQUIRED	
SMF 900-1	<input type="checkbox"/>
SMF 900-2	<input type="checkbox"/>
SMF 1000-2	<input type="checkbox"/>
SMF 1200-2	<input type="checkbox"/>

DUCTING	
Top Ducted	<input type="checkbox"/>
Back Ducted	<input type="checkbox"/>

FINISH	
Stainless Steel	<input type="checkbox"/>
Colour	<input type="checkbox"/>
→Actual Colour	<input type="text"/>
→Powdercoat No.	<input type="text"/>



DATE _____ ORDER NO. _____

COMPANY _____

CONSULTANT _____

TYPE OF HOTPLATE _____

BRAND OF HOTPLATE _____

DATE REQUIRED _____

DELIVERY ADDRESS _____

COMMENTS _____

NOTE

The SMF Rangehood is made with the switches underneath. The standard maximum height of the rangehood is 450mm. Single motor rangehood has 3 switches, twin motor rangehood has 5 switches. This rangehood is made with either 1 or 2 motors. Any variation to the above will mean the hood has to be specially made and will be subject to a quotation. **The order will not be confirmed until this form is completed and returned to your retailer.**

FACSIMILE

MELBOURNE (03) 9482 7011 (VIC) SYDNEY (03) 9316 9299 (NSW) ADELAIDE (08) 8449 6973 (SA)

BRISBANE (07) 3282 9122 (QLD) PERTH (08) 9381 6000 (WA)

CANBERRA (02) 6239 2750 (ACT) HOBART (03) 6231 6662 (TAS) DARWIN (08) 8947 0419 (NT)